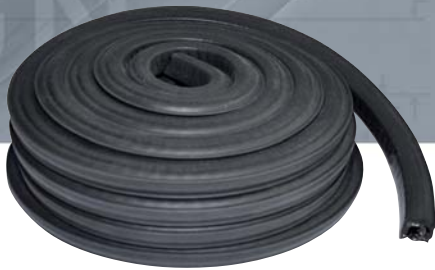




**J.W. WINCO,<sup>®</sup>**  
=====  
**INC.**



## **Edge Protection Seal Profiles**



## Introduction

Edge protection profiles are installed on the front edge of metal sheets and plates. They protect surfaces from damage by sharp edges. Meanwhile, edge protection seal profiles feature a seal profile in order to provide additional sealing for doors, covers and hatches.

## Uses and applications

With the use of edge protection when handling equipment and machine parts made of sheet metal profiles, the risk of cuts or abrasions is reduced to a minimum. In the process, in these applications the profiles provide a visual “decorative effect.” Other application possibilities include cable and tube laying, where openings and edges of divider plates need to be bypassed. This provides reliable protection from flaking or worn-down cables and tubes.

In general, using edge protection profiles can reduce the need for further treatment such as burring and chamfering of cut or laser-cut metal sheets.

Edge protection seal profiles provide the same benefits as edge protection profiles. However they are recommended for use in cases where doors, covers and hatches require additional sealing in order to prevent the emission of dust, warm air or noise; for example, or in order to prevent water spray from entering.

## Structure

Edge protection profiles consist of an extruded clamping profile which forms the base of the structure and is used on the edge of sheet metal in order to affix the edge protection profile.

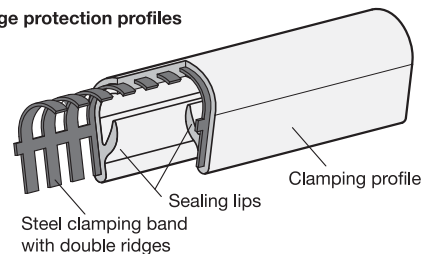
In order to increase the clamping force, the clamping profile is strengthened through a reinforcement, preventing the profile from detaching itself after assembly.

The clamp insert is available as a steel clamping band or as a steel wire polyester clamping band. Steel clamping bands have a higher clamping effect, while steel wire clamping bands allow a smaller assembly radius, also enabling a more even alignment of the edges.

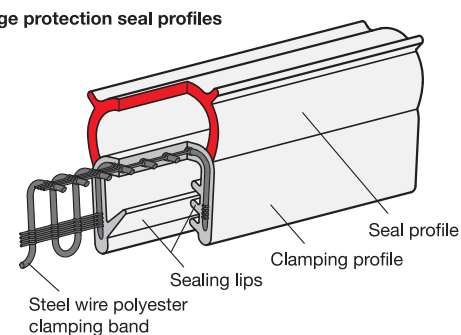
The seal profile is affixed to the top or the side of the clamping profile and is significantly “softer.” It can be made from the basic material of the clamping profile but it can also be made from particular materials for specific applications. In order to attain optimum sealing, the seal profile needs to be prestressed and/or formed to enable it to adapt precisely to the countersurface.

The sealing lips in the interior of the clamping profile ensure the sealing of the edge protection seal profile with the edge of the sheet.

Edge protection profiles



Edge protection seal profiles



## Assembly

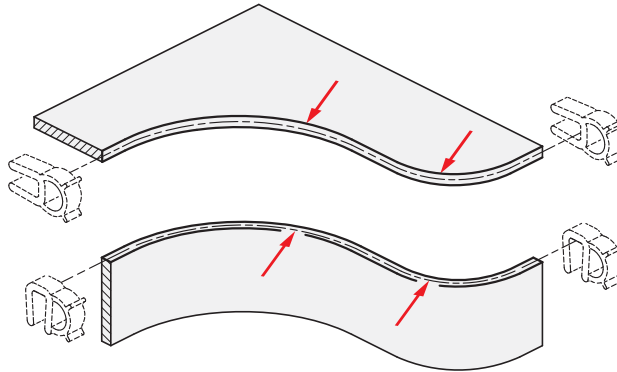
Side cutters and scissors that are suitable for cutting the metal clamping insert can be used to align the profiles. Any end parts of the clamp insert that protrude from the cutting area should be removed in order to prevent injuries. The profile ends and cants can be subsequently sealed and/or glued as required.

The mounting of the the profiles to the edges is secured via the clamp insert. Glue or other adhesives are not usually required.

Profiles can generally be assembled by applying pressure by hand. If necessary, the profile can additionally be secured by lightly applying a soft-face hammer.

## Minimum placement radii

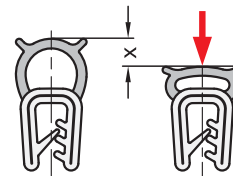
In order to ensure a consistent seal for the profile and to prevent the profile from detaching, placement should not be set below the minimum radii. This also makes the profile assembly easier. The radii are listed on the corresponding standard sheets and should be used as a guideline. Depending on the direction of application, a distinction is made between cut or curved radii, in other words, interior or exterior seal profiles.



## Shaping

Ideally, edge protection seal profiles should maintain a deformation  $x$  of approximately 30 - 50% of the maximum value in order to ensure reliable sealing.

Deformation of over 50% can impair seal tightness and reduce the resilience of the sealing material due to plastic deformation.



## Basic materials, characteristics

Profiles can be made from various basic materials depending on the application. The table to the right summarizes the general characteristics to facilitate the choice.

Due to the multitude of chemicals, solvents etc. exact specifications are not possible, as basic materials that are fundamentally unstable can be durable in combination with specific materials and vice versa.

Concentration, temperature and exposure time also play a crucial role. The customer is advised to test resistance when combining respective materials in contact with one another.

| Characteristics                              | PVC    | NBR     | EPDM    |
|--|--------|---------|---------|
| <b>Operational temperature min.</b>          | -40 °C | - 30 °C | - 40 °C |
| <b>Operational temperature max.</b>          | +70 °C | +100 °C | +100 °C |
| <b>Abrasion resistance / Wear resistance</b> | +      | +       | +       |
| <b>Deformation resistance</b>                | o      | +       | +       |
| <b>Resistant to: *</b>                       |        |         |         |
| • UV light / weather exposure                | +      | -       | +       |
| • Chemicals                                  | +      | -       | +       |
| • Oil, greases                               | o      | +       | -       |
| • Fuels                                      | o      | +       | -       |
| • Acids                                      | +      | o       | +       |
| • Alkalines                                  | o      | +       | +       |
| • Solvents                                   | o      | o       | o       |
| • Alcohol                                    | o      | o       | +       |

\* + resistant, o conditionally resistant, - non-resistant

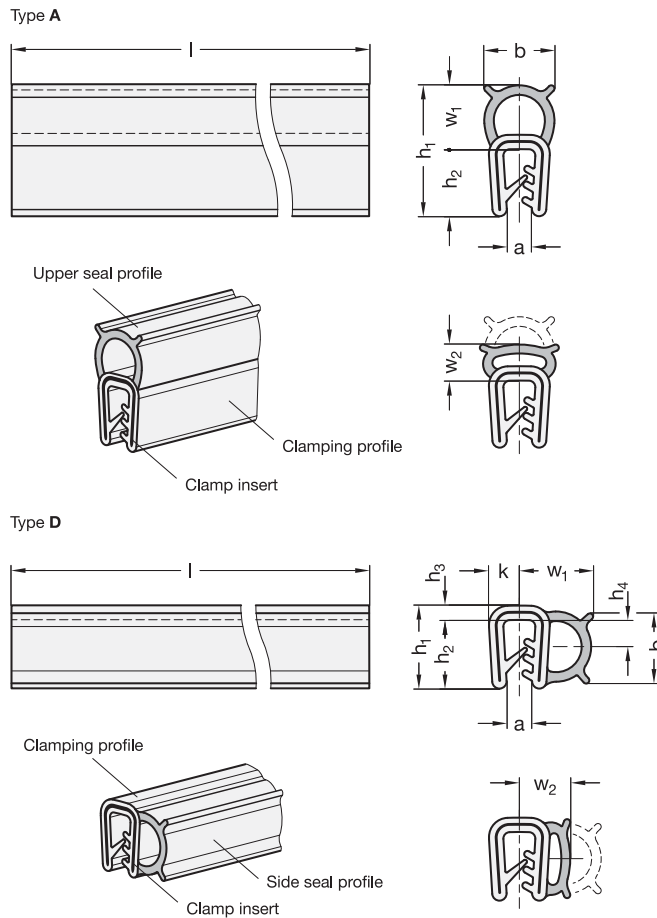
## UL certification (Seal profiles as EPDM)

UL (Underwriters Laboratories) is an independent global company operating in safety science. Their testing is required as a priority in the US-American market and Canadian market.



The GN 2180 edge protection seal profiles made of EPDM have a "UL-recognized component" mark. This states that the profiles can be used as components in finished products which are also intended for UL-certified use.

For customers and companies, the need for these types of certification is becoming increasingly important, as it guarantees high quality, reliable processing, and long durability, as well as reliable product safety.



**3** Type

- A Upper seal profile
- D Side seal profile

**Specification**

- Clamping profile / Sealing profile
  - Ethylene propylene diene rubber **EPDM**
  - Black
  - Clamping profile hardness 65±5 Shore A
  - Sealing profile hardness 25±5 Shore A
  - Temperature resistant -40 °C to 100 °C
  - Acrylonitrile butadiene rubber **NBR**
  - (only for sizes  $h_1 = 20,5$  and 13)
  - Black
  - Clamping profile hardness 60±5 Shore A
  - Sealing profile hardness 25±5 Shore A
  - Temperature resistant -30 °C to 100 °C
- Clamp insert
  - Steel wire polyester clamping band
- RoHS compliant

**Information**

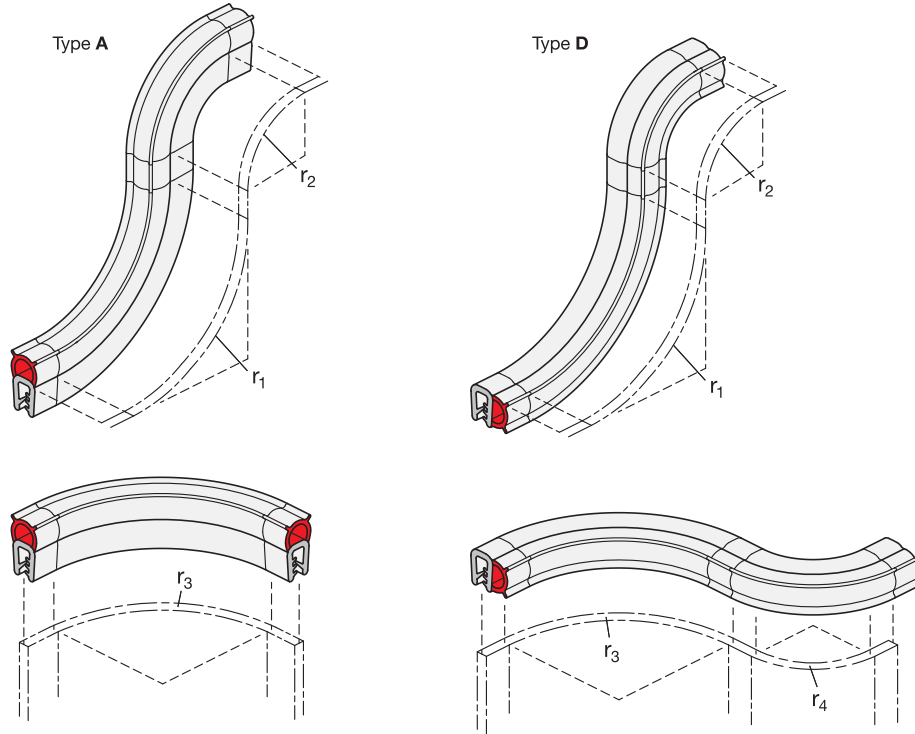
GN 2180 edge protection seal profiles can be used to seal doors, covers and hatches. The profiles are pressed by hand onto the front of metal sheets and plates. The embedded clamp insert prevents detachment. Glue or other adhesives are not required.

When assembled, the profile should deform slightly according to  $w_2$ . This ensures an optimal seal. Adherence to the guideline placement radii ( $r_1...r_4$ ) is recommended in order to ensure a tight profile seal and to make assembly easier.

The NBR profiles are recommended for use in cases where contact with fuels, oils or coolants can occur. EPDM profiles are certified according to UL 50 and UL 94-HB and are therefore approved for the US American and the Canadian market.

see also...

- *Technical information* → Page 3
- *Edge protection seal profiles GN 2182* → Page 6
- *Edge protection profiles GN 2184* → Page 10



**Metric table**

Dimensions in: millimeters - inches

| Type A Part Number  |                    | h <sub>1</sub> Type A | l Cutting length in meters / feet |        | a Clamping range metric size / inch gauge size | b   | h <sub>2</sub> | r <sub>1</sub> | r <sub>2</sub> | r <sub>3</sub> | w <sub>1</sub> | w <sub>2</sub> up to 50% permissible deformation |
|---------------------|--------------------|-----------------------|-----------------------------------|--------|--|-----|----------------|----------------|----------------|----------------|----------------|--|
| EPDM                | NBR                | --                    | 20                                | --     | 0.8 - 2.5                                      | 8.5 | 9              | 80             | 50             | 20             | 6.5            | 5  |
| 2180-EPDM-15.5-A-20 |                    | .61                   | 65.62                             |        | 21-13  | .33 | .35            | 3.15           | 1.97           | .79            | .26            | .20  |
| 2180-EPDM-15.5-A-50 |                    |                       |                                   | 50     |  |     |                |                |                |                |                |  |
|                     |                    |                       |                                   | 164.04 |  |     |                |                |                |                |                |  |
| 2180-EPDM-20.5-A-20 | 2180-NBR-20.5-A-20 | 20.5                  | 20                                | --     | 1 - 3.5  | 11  | 10.5           | 90             | 50             | 30             | 10             | 7  |
|                     |                    | .81                   | 65.62                             |        | 19-10  | .43 | .41            | 3.54           | 1.97           | 1.18           | .39            | .28  |
| 2180-EPDM-20.5-A-50 | 2180-NBR-20.5-A-50 |                       |                                   | 50     |  |     |                |                |                |                |                |  |
|                     |                    |                       |                                   | 164.04 |  |     |                |                |                |                |                |  |

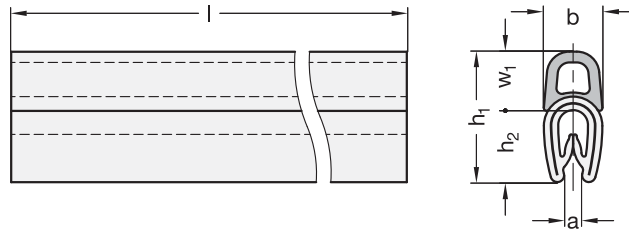
| Type D Part Number  |                  | h <sub>1</sub> Type D | l Cutting length in meters / feet |        | a Clamping range metric size / inch gauge size | b    | h <sub>2</sub> | h <sub>3</sub> | h <sub>4</sub> | k    | r <sub>1</sub> | r <sub>2</sub> | r <sub>3</sub> | r <sub>4</sub> | w <sub>1</sub> | w <sub>2</sub> up to 50% permissible deformation |
|---------------------|------------------|-----------------------|-----------------------------------|--------|--|------|----------------|----------------|----------------|------|----------------|----------------|----------------|----------------|----------------|--|
| EPDM                | NBR              | --                    | 20                                | --     | 0.8 - 2.5                                      | 8.75 | 9              | 2.5            | 3.75           | 4    | 30             | 40             | 80             | 40             | 8.5            | 6.75   |
| 2180-EPDM-11.5-D-20 |                  | .45                   | 65.62                             |        | 21-13  | .34  | .35            | .10            | .15            | .16  | 1.18           | 1.57           | 3.15           | 1.57           | .33            | .27  |
| 2180-EPDM-11.5-D-50 |                  |                       |                                   | 50     |  |      |                |                |                |      |                |                |                |                |                |  |
|                     |                  |                       |                                   | 164.04 |  |      |                |                |                |      |                |                |                |                |                |  |
| 2180-EPDM-13-D-20   | 2180-NBR-13-D-20 | 13                    | 20                                | --     | 1 - 3.5  | 11   | 10.75          | 2.25           | 4.5            | 4.75 | 40             | 50             | 100            | 80             | 11.25          | 8.75   |
|                     |                  | .51                   | 65.62                             |        | 19-10  | .43  | .42            | .09            | .18            | .19  | 1.57           | 1.97           | 3.94           | 3.15           | .44            | .34  |
| 2180-EPDM-13-D-50   | 2180-NBR-13-D-50 |                       |                                   | 50     |  |      |                |                |                |      |                |                |                |                |                |  |
|                     |                  |                       |                                   | 164.04 |  |      |                |                |                |      |                |                |                |                |                |  |

**How to order**

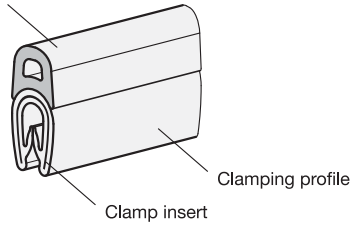
**GN2180-EPDM-11.5-D-20**

- 1 Material
- 2 h<sub>1</sub>
- 3 Type
- 4 Length l

Type A

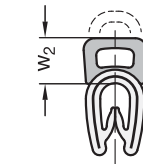


Upper seal profile



Clamping profile

Clamp insert

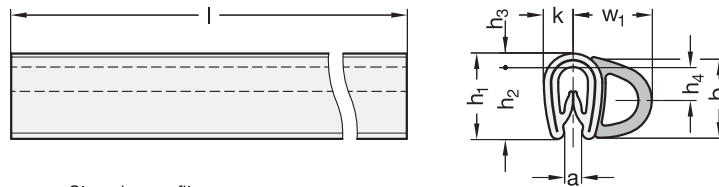


**2** Type

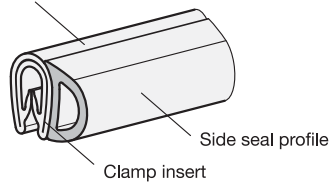
**A** Upper seal profile

**D** Side seal profile

Type D

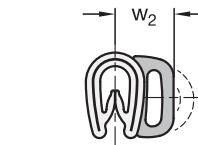


Clamping profile



Side seal profile

Clamp insert



**Specification**

- Clamping profile  
Polyvinylchlorid (PVC)  
Hardness 70±5 Shore A
- Sealing profile  
Ethylene propylene diene rubber (EPDM)  
Hardness 25±5 Shore A
- Clamp insert  
Steel clamping band
- Black
- Temperature resistant -40 °C to 90 °C
- Weather exposure
- RoHS compliant

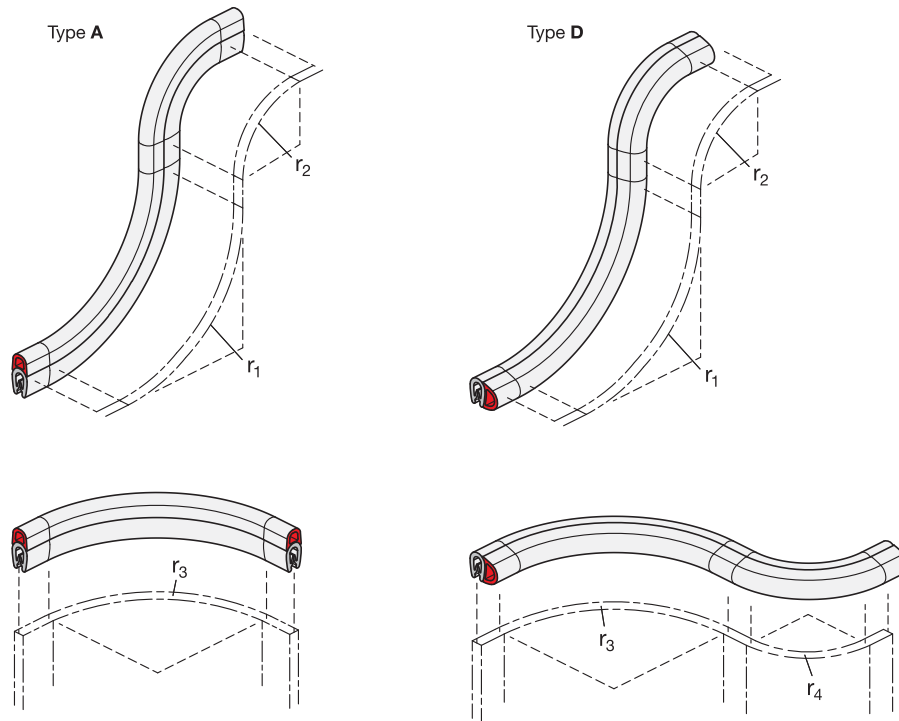
**Information**

GN 2182 edge protection seal profiles can be used to seal doors, covers and hatches. The profiles are pressed by hand onto the front of metal sheets and plates. The embedded clamp insert prevents detachment. Glue or other adhesives are not required.

When assembled, the profile should deform slightly according to  $w_2$ . This ensures an optimal seal. Adherence to the guideline placement radii ( $r_1...r_4$ ) is recommended in order to ensure a tight profile seal and to make assembly easier.

see also...

- *Technical information* → Page 3
- *Edge protection seal profiles GN 2180* → Page 4
- *Edge protection profiles GN 2184* → Page 10



**Metric table**

Dimensions in: millimeters - inches

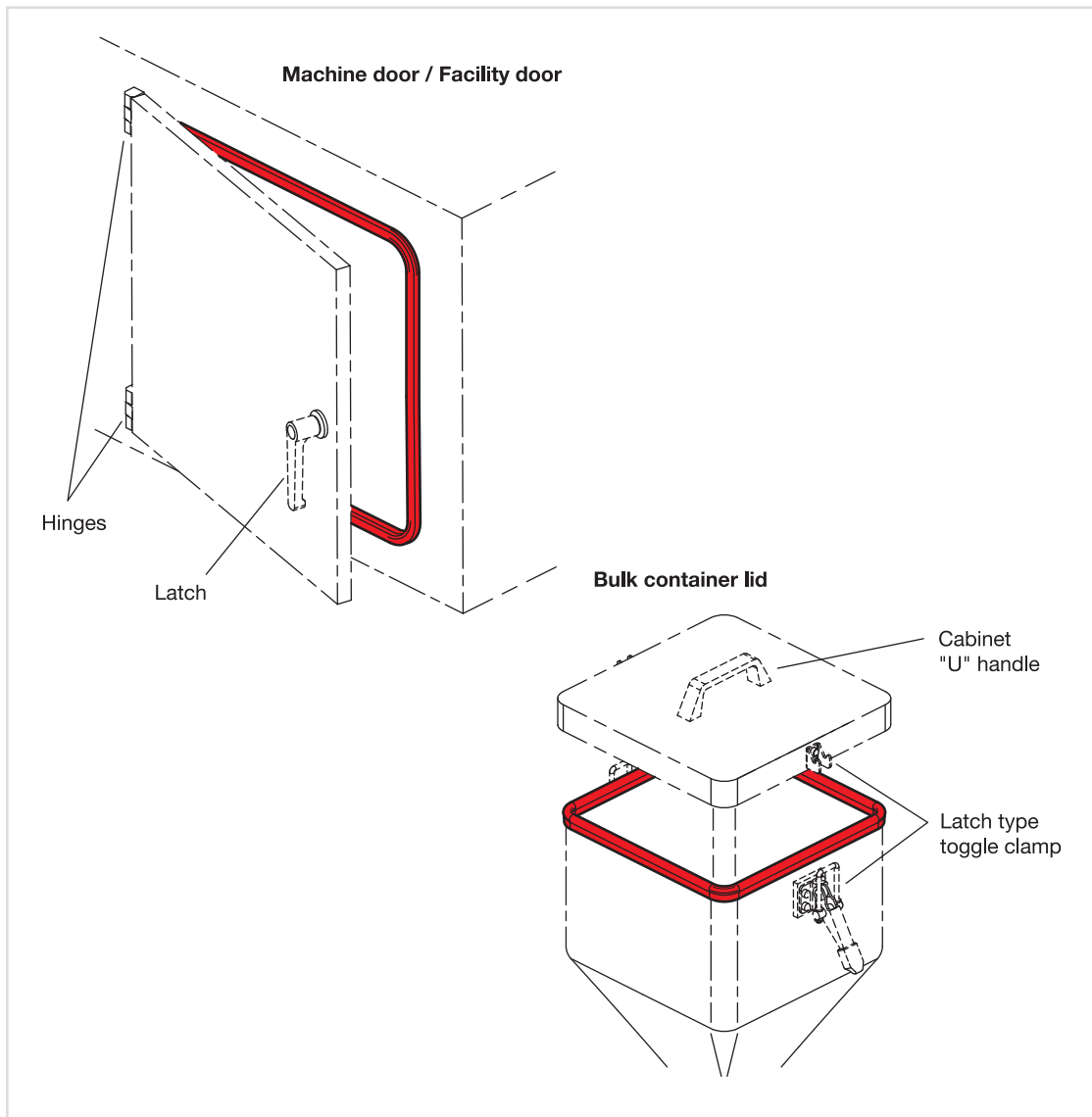
| Type A<br>Part Number | h <sub>1</sub><br>Type A | l                                  |        | a              | b          | h <sub>2</sub> | r <sub>1</sub> | r <sub>2</sub> | r <sub>3</sub> | w <sub>1</sub> | w <sub>2</sub><br>up to 50%<br>permissible<br>deformation |
|-----------------------|--------------------------|------------------------------------|--------|----------------|------------|----------------|----------------|----------------|----------------|----------------|---|
|                       |                          | Cutting length<br>in meters / feet |        |                |            |                |                |                |                |                |   |
| 2182-14.5-A-20        | 14.5<br>.57              | 20                                 | --     | 1 - 2<br>19-14 | 6.5<br>.26 | 8<br>.31       | 40<br>1.57     | 20<br>.79      | 10<br>.39      | 6.5<br>.26     | 5.25<br>.21   |
|                       |                          | 65.62                              | 50     |                |            |                |                |                |                |                |   |
| 2182-14.5-A-50        |                          | --                                 | 164.04 |                |            |                |                |                |                |                |   |

| Type D<br>Part Number | h <sub>1</sub><br>Type D | l                                  |        | a              | b        | h <sub>2</sub> | h <sub>3</sub> | h <sub>4</sub> | k           | r <sub>1</sub> | r <sub>2</sub> | r <sub>3</sub> | r <sub>4</sub> | w <sub>1</sub> | w <sub>2</sub><br>up to 50%<br>permissible<br>deformation |
|-----------------------|--------------------------|------------------------------------|--------|----------------|----------|----------------|----------------|----------------|-------------|----------------|----------------|----------------|----------------|----------------|---|
|                       |                          | Cutting length<br>in meters / feet |        |                |          |                |                |                |             |                |                |                |                |                |   |
| 2182-9.5-D-20         | 9.5<br>.37               | 20                                 | --     | 1 - 2<br>19-14 | 9<br>.35 | 8<br>.31       | 1.5<br>.06     | 4<br>.16       | 3.25<br>.13 | 15<br>.59      | 20<br>.79      | 30<br>1.18     | 50<br>1.97     | 8.75<br>.34    | 6.75<br>.27   |
|                       |                          | 65.62                              | 50     |                |          |                |                |                |             |                |                |                |                |                |   |
| 2182-9.5-D-50         |                          | --                                 | 164.04 |                |          |                |                |                |             |                |                |                |                |                |   |

|   |   |                |
|---|---|----------------|
| <b>How to order</b><br><b>GN2182-9.5-D-20</b> | 1 | h <sub>1</sub> |
|   | 2 | Type           |
|   | 3 | Length l       |

# Edge Protection Seal Profiles

Application Examples - profiles in combination with other J.W. Winco standard parts



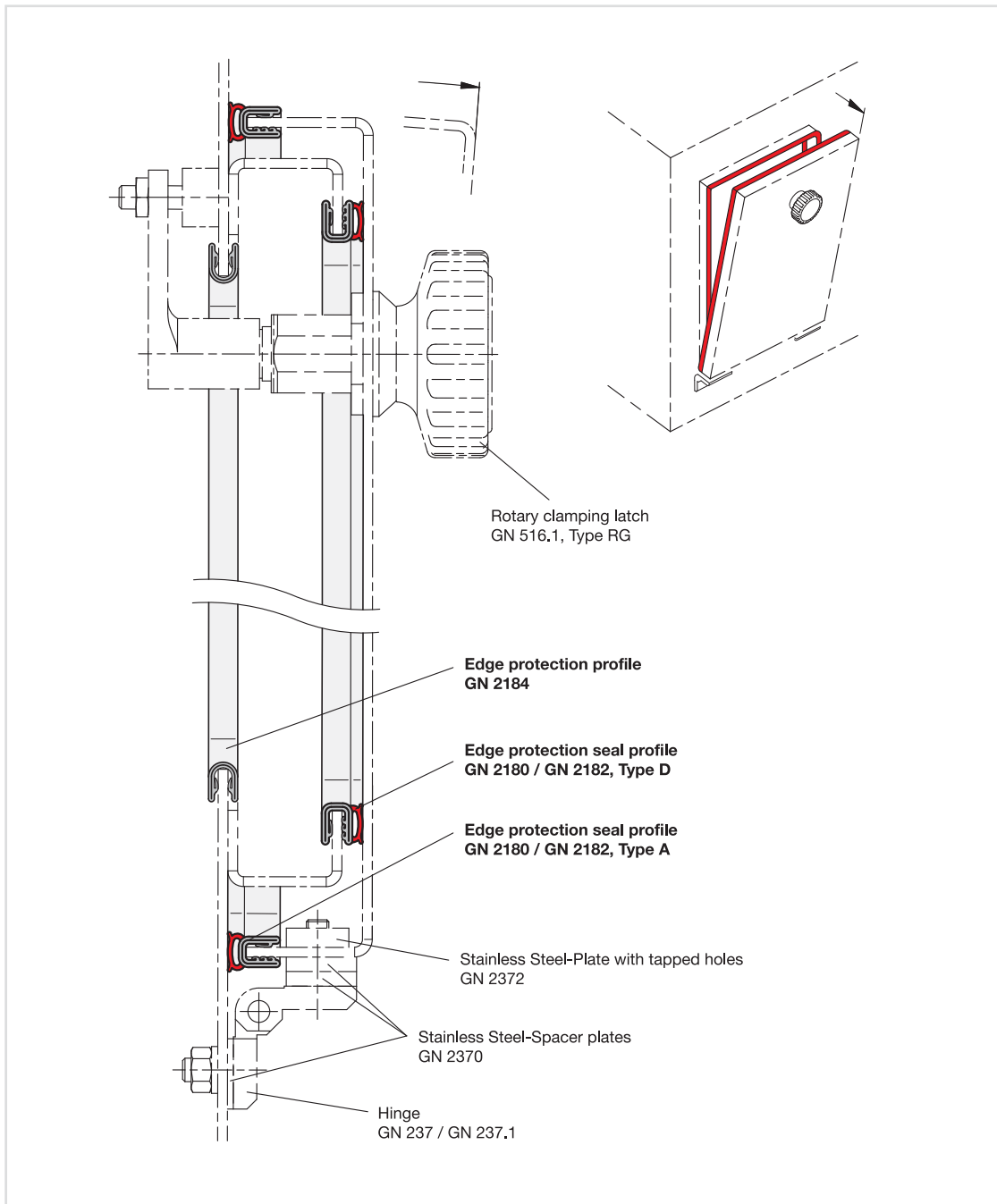
## Application examples

With their versatility, edge protection profiles and/or edge protection seal profiles can be implemented in various applications, in conjunction with other J.W. Winco products. In particular, combinations with hinges, latches, U-handles and toggle clamps can achieve a variety of useful constructions.



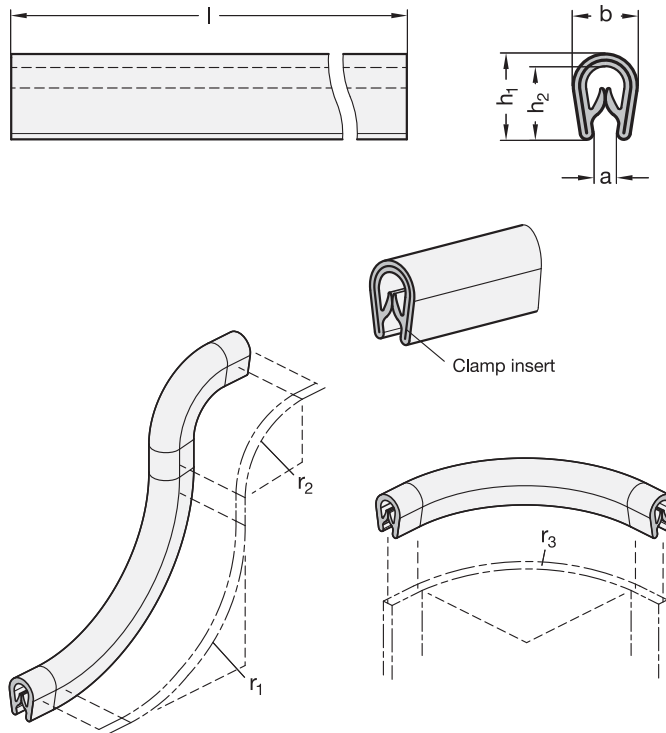
# Edge Protection Seal Profiles

Construction Examples



## Construction examples

The construction depicted shows a standard application of edge protection profiles and edge protection seal profiles. The edge protection seal profiles are attached to the door and the fixed frame. The opening for the door is covered with an edge protection profile at its cut edge.



**Specification**

- Profile  
Polyvinylchlorid (PVC)
  - Black
  - Hardness 70 ±5 Shore A
  - Temperature resistant -40 °C to 90 °C
  - Weather exposure
- Clamp insert  
Steel clamping band
- RoHS compliant



**Information**

GN 2184 edge protection profiles are installed on the front edge of metal sheets and plates. They protect the surfaces from damage by sharp edges. The edge finish additionally achieves an optical decorative effect, while the need for potential further treatment such as burring and chamfering of cut or laser-cut metal sheets is reduced to an absolute minimum.

Adhering to the guideline placement radii ( $r_1...r_3$ ) is recommended in order to guarantee permanent profile placement and to make assembly easier. Assembly can be carried out by hand, or alternatively with a soft-face hammer. The embedded clamp insert prevents it from detaching. Glue or other adhesive is not required.

see also...

- Edge protection seal profiles GN 2180 / GN 2182 → Page 4 / 6

**On request**

- Color white / grey

**Metric table**

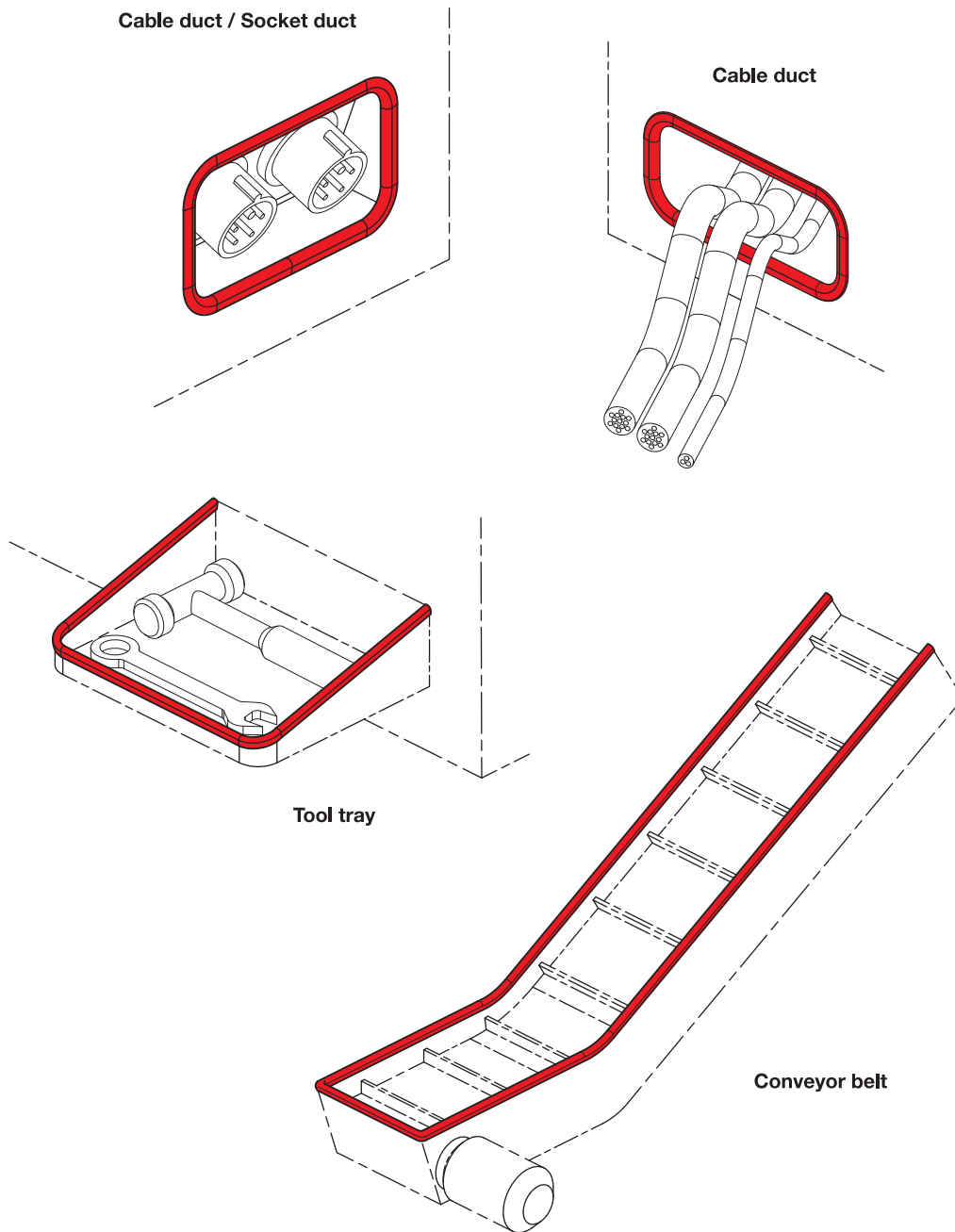
Dimensions in: millimeters - inches

| Part Number    | <sup>1</sup> $h_1$ |      | <sup>3</sup> $l$<br>Cutting length<br>in meters / feet |              | $a$<br>Clamping range<br>metric size / inch<br>gauge size | $b$  | $h_2$ | $r_1$ | $r_2$ | $r_3$ |
|----------------|--------------------|------|--|--------------|---|------|-------|-------|-------|-------|
|                | mm                 | inch | m  | ft           |   |      |       |       |       |       |
| 2184-9.5-SW-20 | 9.5                | .37  | 20   | --           | 1 - 2<br>19-14  | 6.5  | 8     | 15    | 10    | 10    |
| 2184-9.5-SW-50 |                    |      | --   | 50<br>164.04 |   |      |       |       |       |       |
| 2184-14-SW-20  | 14                 | .55  | 20   | --           | 1 - 4<br>19-9   | 10.5 | 12    | 25    | 25    | 25    |
| 2184-14-SW-50  |                    |      | --   | 50<br>164.04 |   |      |       |       |       |       |

|                        |                         |
|------------------------|-------------------------|
| How to order           | <sup>1</sup> $h_1$      |
| <b>GN2184-14-SW-50</b> | <sup>2</sup> Color      |
|                        | <sup>3</sup> Length $l$ |



**Application examples for edge protection profiles GN 2184**



Visit our web site to view our complete online catalog,  
shop online and download 3D CAD models of our parts!

**www.jwwinco.com**

## Let us tell you the GREAT WAYS

J.W. Winco, Inc. can help you reduce your overall costs!

**Remember the value of standard machine components.** They are your most cost-effective and time-saving option! And our parts offer exceptional quality and the most modern designs.

**Simplify purchasing by going to one source.** We have over 20,000 competitively-priced standard parts in stock with thousands more available quickly.

**Receive the technical expertise you need to do it right the first time.** Our technical sales associates answer your questions, provide detailed specs, and offer suggestions for your application.

**Download 3D CAD models for nearly our entire product line.** Our pdf CAD viewer enables you to see models right online, and you can download them in any of 19 different formats.

**Shop online 24/7 with our eStore.** View pricing and purchase easily with your credit card. For customers with established accounts, our eStore offers additional tracking and reporting options.

**Get your required secondary machining and assembly from the same source.** Our in-house machining facility can accommodate your requirements, and we provide assembly services too.

**Satisfy your special labeling and packaging requirements.** We offer bar code and UPC code labeling and can meet your other special labeling and packaging needs.

**When you buy from us, you purchase a complete overall cost reduction solution. That's why we say...**

**We're more than just quality parts!**

ISO 9001:2008 Registered



### J.W. Winco Inc.\*

Phone: 262/786-8227  
800/877-8351  
Fax: 262/786-8524  
800/472-0670

Email: sales@jwwinco.com

2815 S. Calhoun Rd.  
New Berlin, WI 53151-3515

### J.W. Winco Canada Inc.

Phone: 800/877-8351  
Fax: 800/472-0670

Email: sales@jwwinco.ca  
Web: www.jwwinco.ca

431 Huronia Road, Units 4 & 5  
Barrie, ON L9N 4B3

\*J.W. Winco, Inc. USA is ISO 9001:2008 Certified

**800-877-8351 | www.jwwinco.com**

Catalog # EPSP 2017  
Copyright January 2017