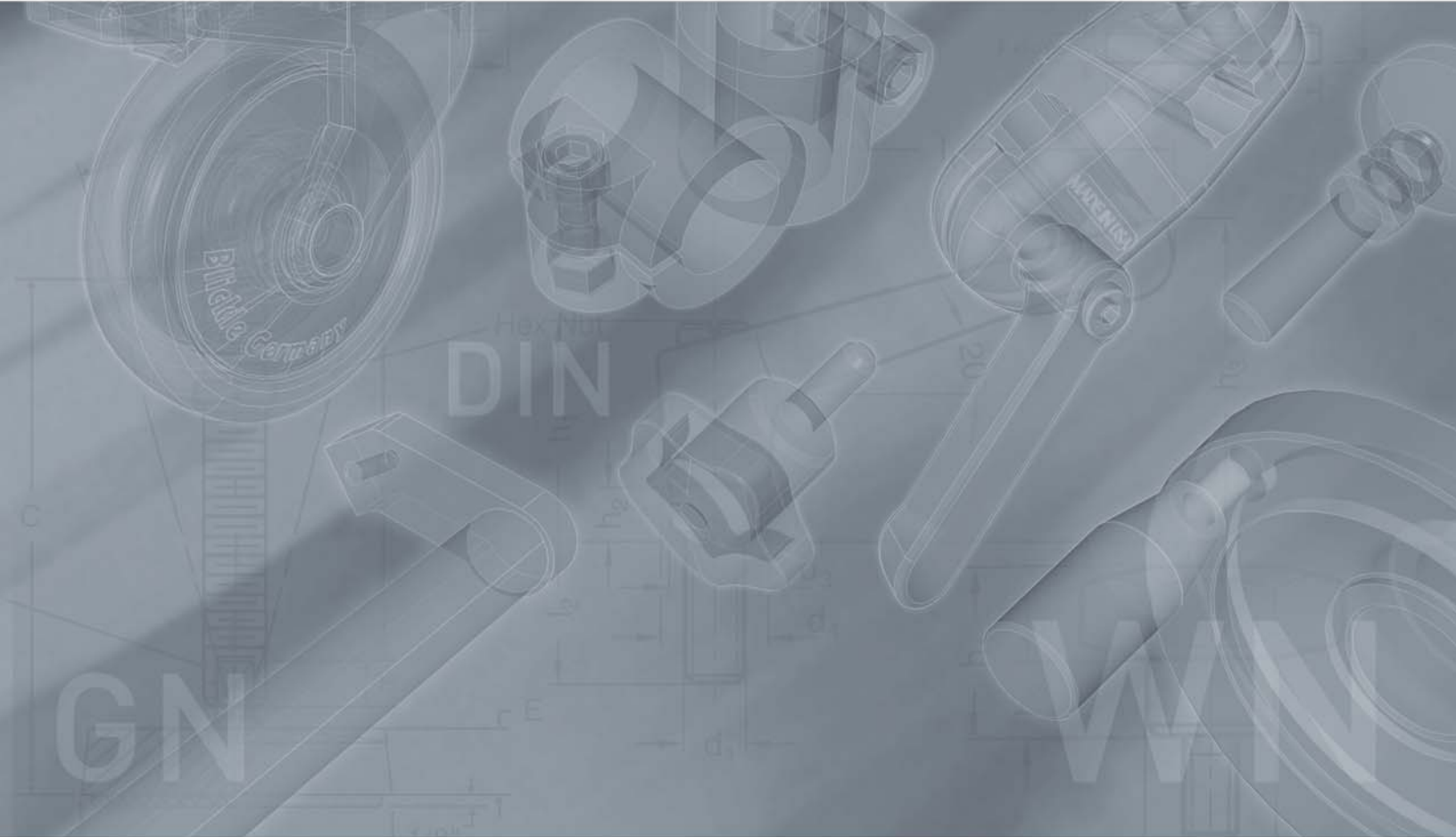




J.W. WINCO,[®]
INC.



**Oil Drain Valves
Breathers**



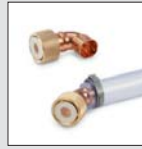


Oil Drain Valves Breathers



GN 880
Metric Size, Steel or Brass
Oil Drain Valves

▶ Page 3



GN 880.1
Metric Size
Connector Pieces
For GN 880 Oil Drain
Valves

▶ Page 5



GN 881
Metric Size, Brass
Breather Valves

▶ Page 7



GN 882
Metric Size, Brass
Breather Filters

▶ Page 9



GN 883
Metric Size, Brass
Breather Valves

▶ Page 11



GN 7403
Metric Size, Aluminum
Breather Strainers
With Stainless Steel
Mesh

▶ Page 13

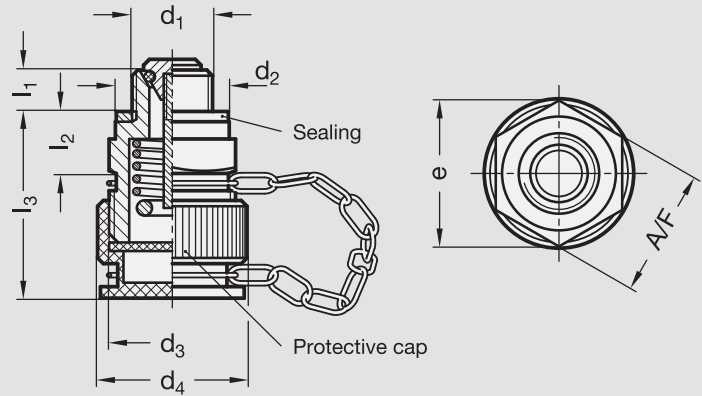


GN 7403
Metric Size, Stainless Steel
Breather Strainers
With Stainless Steel Mesh

▶ Page 14

GN 880 | Oil Drain Valves

Steel or Brass • Metric Size



RoHS Compliant

Valve body

Type ST (M 14-M 22 and G ¼-G ½ thread) – Steel, zinc plated, blue passivated

Type MS (M 24-M 30 and G ¾-G 1 thread) – Brass, plain finish

Valve plate

Brass

O-ring

Rubber FPM (Viton®)

Sealing washer

Copper, DIN 7603 A

Protective cap

Plastic (Polyamide PA)

temperature resistant up to 248° F (120° C)

Chain

Steel, zinc plated, blue passivated, eyelet is brass

GN 880 oil drain valves may be used for draining non-pressurised oil, and under certain conditions. also for vacuum drainage.

The flow volume (l/min.) depends on the viscosity of the medium, the filling quantity and the temperature. Guidance values available upon request.

Other features are

- easy and safe handling
- optimum flow rate
- high pressure resistance (up to 100 bar)
- high temperature resistance
- 22° F to 320° F (-30° C to 160° C)
- 100% leak tightness tested

Other benefits of GN 880 drain valves

- No risk of burns caused by hot oil
- No mess caused by uncontrolled oil drainage
- Quick and easy to use

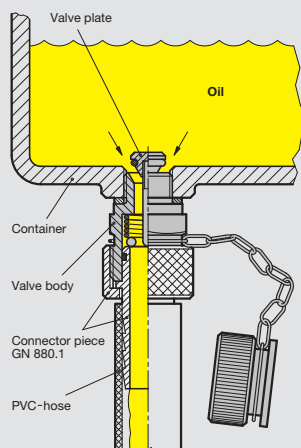
How to Use

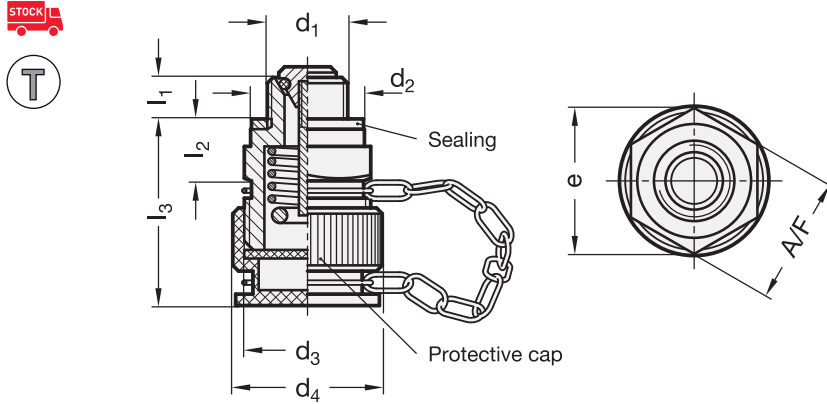
After removing the protective cap (which is secured against loss with the chain), screw into the matching GN 880.1 connector piece.

When the connector is screwed in, the valve plate will open and the oil will empty through the hose into a pan.

Take off the connector after the oil has drained. The valve plate will be lowered and will close off the drainage outlet.

The container with the oil drain valve is ready for filling again.





Metric Thread Table

Dimensions in: millimeters (inches)

Part Number	d ₁ Thread	d ₂	d ₃ Connection thread for GN 880.1	d ₄	e ⁻	l ₁	l ₂	l ₃	A/F
880-M14x1.5-ST-K	M14 x 1.5	20 (.79)	M22 x 1.5	26 (1.02)	25.4 (1.00)	7.5 (.30)	10.5 (.41)	31 (1.22)	22 (.87)
880-M16x1.5-ST-K	M16 x 1.5	22 (.87)	M22 x 1.5	26 (1.02)	25.4 (1.00)	7.5 (.30)	10.5 (.41)	31 (1.22)	22 (.87)
880-M18x1.5-ST-K	M18 x 1.5	24 (.94)	M22 x 1.5	26 (1.02)	25.4 (1.00)	8.5 (.33)	10.5 (.41)	31 (1.22)	22 (.87)
880-M20x1.5-ST-K	M20 x 1.5	26 (1.02)	M22 x 1.5	26 (1.02)	31.2 (1.23)	8.5 (.33)	10.5 (.41)	31 (1.22)	27 (1.06)
880-M22x1.5-ST-K	M22 x 1.5	27 (1.06)	M26 x 1.5	30 (1.18)	31.2 (1.23)	8.5 (.33)	12 (.47)	31 (1.22)	27 (1.06)
880-M24x1.5-MS-K	M24 x 1.5	29 (1.14)	M26 x 1.5	30 (1.18)	34.7 (1.37)	9 (.35)	12 (.47)	32 (1.26)	30 (1.18)
880-M26x1.5-MS-K	M26 x 1.5	32 (1.26)	M26 x 1.5	30 (1.18)	37 (1.46)	9 (.35)	12 (.47)	32 (1.26)	32 (1.26)
880-M30x1.5-MS-K	M30 x 1.5	36 (1.42)	M26 x 1.5	30 (1.18)	41.6 (1.63)	9 (.35)	12 (.47)	32 (1.26)	36 (1.42)

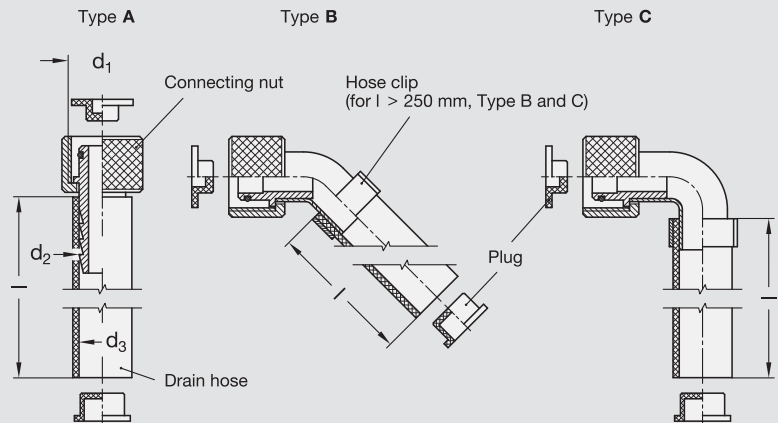
BSP Parallel Thread Table

Dimensions in: millimeters (inches)

Part Number	d ₁ Thread	d ₂	d ₃ Connection thread for GN 880.1	d ₄	e ⁻	l ₁	l ₂	l ₃	A/F
880-G1/4-ST-K	G 1/4	20 (.79)	M22 x 1.5	26 (1.02)	25.4 (1.00)	7.5 (.30)	10.5 (.41)	31 (1.22)	22 (.87)
880-G3/8-ST-K	G 3/8	23 (.91)	M22 x 1.5	26 (1.02)	25.4 (1.00)	7.5 (.30)	10.5 (.41)	31 (1.22)	22 (.87)
880-G1/2-ST-K	G 1/2	26 (1.02)	M22 x 1.5	26 (1.02)	31.2 (1.23)	8.5 (.33)	10.5 (.41)	31 (1.22)	27 (1.06)
880-G3/4-MS-K	G 3/4	32 (1.26)	M26 x 1.5	30 (1.18)	37 (1.46)	9 (.35)	12 (.47)	32 (1.26)	36 (1.42)
880-G1-MS-K	G 1	39 (1.54)	M26 x 1.5	30 (1.18)	47.3 (1.88)	9 (.35)	12 (.47)	32 (1.26)	41 (1.61)

GN 880.1 | Connector Pieces

For GN 880 Oil Drain Valves • Metric Size



RoHS Compliant

Connecting nut with hose liner

Brass

Connector elbow (45°/90°)

Copper

O-Ring

Rubber NBR (Perbunan)

Drain hose

PVC, transparent

Hose clip

Steel, zinc plated

Plug

Plastic, LD-PE

Type A

Straight connector

Type B

45° connector

Type C

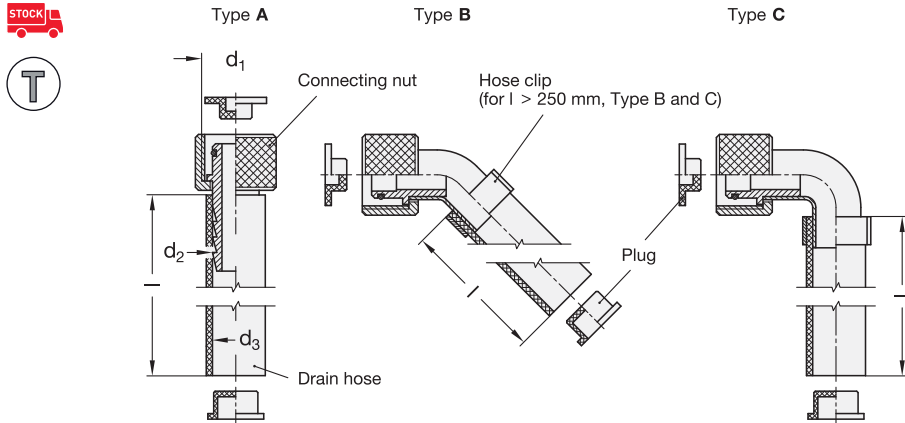
90° connector

GN 880.1 connector pieces are used in connection with GN 880 oil drain valves.

Screwing on the connector piece to the GN 880 oil drain valve activates the valve plate of the oil drain valve, allowing the oil to flow through the hose into a pan.

The hose plug prevents the remaining oil from dripping out after discharging.

Other hose lengths and drain hoses reinforced with internal nylon webbing are available upon request.



With Drain Hose

Dimensions in: millimeters (*inches*)

Type A	Part Number Type B	Type C	d ₁ Connection thread for GN 880	Hose Length l	d ₂ Nipple	d ₃ Nominal Hose I.D.
880.1-22-A-250-T	880.1-22-B-250-T	880.1-22-C-250-T	M22 x 1.5	250 (9.84)	15 (.59)	14 (.55)
880.1-22-A-500-T	880.1-22-B-500-T	880.1-22-C-500-T		500 (19.69)		
880.1-22-A-1000-T	880.1-22-B-1000-T	880.1-22-C-1000-T		1000 (39.37)		
880.1-26-A-250-T	880.1-26-B-250-T	880.1-26-C-250-T	M26 x 1.5	250 (9.84)	20 (.79)	19 (.75)
880.1-26-A-500-T	880.1-26-B-500-T	880.1-26-C-500-T		500 (19.69)		
880.1-26-A-1000-T	880.1-26-B-1000-T	880.1-26-C-1000-T		1000 (39.37)		

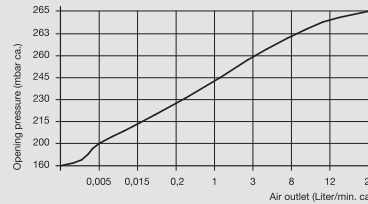
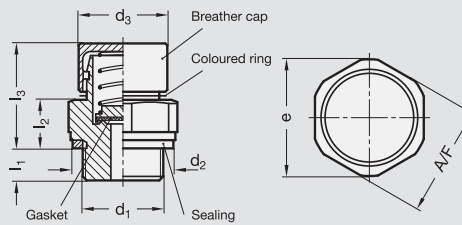
Without Drain Hose

Dimensions in: millimeters (*inches*)

Type A	Part Number Type B	Type C	d ₁ Connection thread for GN 880	d ₂ Nipple
880.1-22-A	880.1-22-B	880.1-22-C	M22 x 1.5	15 (.59)
880.1-26-A	880.1-26-B	880.1-26-C	M26 x 1.5	20 (.79)

GN 881 | Breather Valves

Brass • Metric Size



RoHS Compliant

Valve body

Brass

Breather cap

Plastic (Polyamide PA)

Gasket

Brass with silicone-rubber coating (VMQ)

Spring

Stainless steel, AISI 301

Sealing washer

DIN 7603 A, soft iron 1.0338

Once the opening pressure given in the table is exceeded, GN 881 breather valves with gasket will vent into a container, preventing excessive internal container pressure.

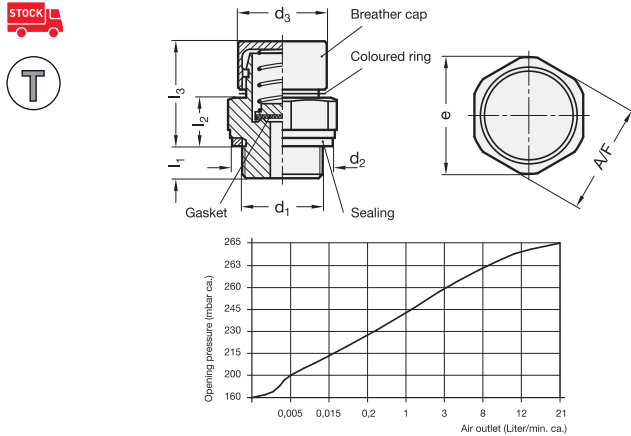
In its normal state, the gasket seals the container and prevents dirt and dust from getting inside of it.

The above diagram shows the air outlet as a factor of the opening pressure.

The valves are checked for leak tightness and opening pressure.

Temperature resistant from -22° F to 212° F (-30° C to 100° C).

Available upon request: body made of other materials, other opening pressure (20 mbar), and with dipstick.



Metric Thread Table

Dimensions in: millimeters (inches)

Part Number	d ₁ Thread	Opening pressure in mbar ±20%	d ₂	d ₃	e	l ₁	l ₂	l ₃	A/F
881-M12X1.5-200-MS-K	M12 x 1.5	200	18 (.71)	22 (.87)	23.5 (.93)	8.5 (.33)	11.5 (.45)	26.5 (1.05)	22 (.87)
881-M14X1.5-200-MS-K	M14 x 1.5	200	20 (.79)	22 (.87)	23.5 (.93)	8.5 (.33)	11.5 (.45)	26.5 (1.05)	22 (.87)
881-M16X1.5-200-MS-K	M16 x 1.5	200	22 (.87)	22 (.87)	23.5 (.93)	8.5 (.33)	11.5 (.45)	26.5 (1.05)	22 (.87)
881-M18X1.5-200-MS-K	M18 x 1.5	200	24 (.94)	22 (.87)	23.5 (.93)	8.5 (.33)	11.5 (.45)	26.5 (1.05)	22 (.87)
881-M20X1.5-200-MS-K	M20 x 1.5	200	26 (1.02)	22 (.87)	29 (1.14)	8.5 (.33)	12 (.47)	31 (1.22)	27 (1.06)
881-M22X1.5-200-MS-K	M22 x 1.5	200	27 (1.06)	22 (.87)	29 (1.14)	8.5 (.33)	12 (.47)	31 (1.22)	27 (1.06)
881-M24X1.5-200-MS-K	M24 x 1.5	200	29 (1.14)	22 (.87)	32.5 (1.28)	8 (.31)	12 (.47)	27 (1.06)	30 (1.18)
881-M26X1.5-200-MS-K	M26 x 1.5	200	32 (1.26)	22 (.87)	34 (1.34)	8 (.31)	12 (.47)	27 (1.06)	32 (1.26)
881-M30X1.5-200-MS-K	M30 x 1.5	200	36 (1.42)	22 (.87)	39 (1.54)	8 (.31)	12 (.47)	27 (1.06)	36 (1.42)

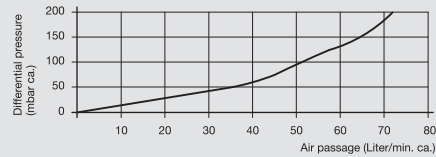
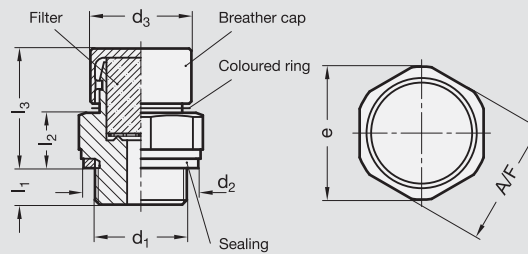
BSP Parallel Thread Table

Dimensions in: millimeters (inches)

Part Number	d ₁ Thread	Opening pressure in mbar ±20%	d ₂	d ₃	e	l ₁	l ₂	l ₃	A/F
881-G1/4-200-MS-K	G ¼	200	20 (.79)	22 (.87)	23.5 (.93)	8.5 (.33)	11.5 (.45)	26.5 (1.05)	22 (.87)
881-G 3/8-200-MS-K	G ⅜	200	23 (.91)	22 (.87)	23.5 (.93)	8.5 (.33)	11.5 (.45)	26.5 (1.05)	22 (.87)
881-G 1/2-200-MS-K	G ½	200	26 (1.02)	22 (.87)	29 (1.14)	8.5 (.33)	12 (.47)	31 (1.22)	27 (1.06)
881-G 3/4-200-MS-K	G ¾	200	32 (1.26)	22 (.87)	34 (1.34)	8 (.31)	12 (.47)	27 (1.06)	32 (1.26)
881-G 1-200-MS-K	G 1	200	39 (1.54)	22 (.87)	44 (1.73)	8 (.31)	12 (.47)	27 (1.06)	41 (1.61)

GN 882 | Breather Filters

Brass • Metric Size



RoHS Compliant

Valve body

Brass

Breather cap

Plastic (Polyamide PA)

Air filter

Stainless steel-wire mesh AISI 304, filter category G2-G3, mean separation rate (Am approx. 65-85%, based on a particle size > 10 µm)

Sealing washer

DIN 7603 A, soft iron 1.0338

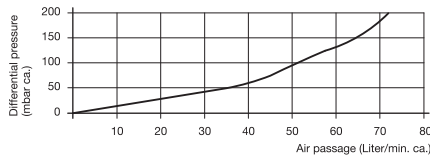
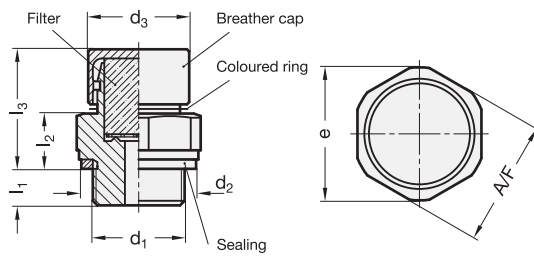
GN 882 breather filters are used when air exchange is to be allowed between the inside of the container and the ambient air.

The filter prevents airborne particles like dust from being carried from the outside to the inside of the container. It also ensures that oil (or other fluid) particles do not escape to the outside.

The above diagram shows the air passage as a factor of the differential pressure.

Temperature resistant from -22° F to 212° F (-30° C to 100° C).

Available upon request: body made of other materials, and with dipstick.



Metric Thread Table

Dimensions in: millimeters (*inches*)

Part Number	d ₁ Thread	d ₂	d ₃	e	l ₁	l ₂	l ₃	A/F
882-M12X1.5-MS-K	M12 x 1.5	18 (.71)	22 (.87)	23.5 (.93)	8.5 (.33)	11.5 (.45)	25.5 (1.04)	22 (.87)
882-M14X1.5-MS-K	M14 x 1.5	20 (.79)	22 (.87)	23.5 (.93)	8.5 (.33)	11.5 (.45)	25.5 (1.04)	22 (.87)
882-M16X1.5-MS-K	M16 x 1.5	22 (.87)	22 (.87)	23.5 (.93)	8.5 (.33)	11.5 (.45)	25.5 (1.04)	22 (.87)
882-M18X1.5-MS-K	M18 x 1.5	24 (.94)	22 (.87)	23.5 (.93)	8.5 (.33)	11.5 (.45)	25.5 (1.04)	22 (.87)
882-M20X1.5-MS-K	M20 x 1.5	26 (1.02)	22 (.87)	29 (1.14)	8.5 (.33)	11.5 (.45)	25.5 (1.04)	27 (1.06)
882-M22X1.5-MS-K	M22 x 1.5	27 (1.06)	22 (.87)	29 (1.14)	8.5 (.33)	11.5 (.45)	25.5 (1.04)	27 (1.06)
882-M24X1.5-MS-K	M24 x 1.5	29 (1.14)	22 (.87)	32.5 (1.28)	8 (.31)	12 (.47)	26 (1.02)	30 (1.18)
882-M26X1.5-MS-K	M26 x 1.5	32 (1.26)	22 (.87)	34 (1.34)	8 (.31)	12 (.47)	26 (1.02)	32 (1.26)
882-M30X1.5-MS-K	M30 x 1.5	36 (1.42)	22 (.87)	39 (1.54)	8 (.31)	12 (.47)	26 (1.02)	36 (1.42)

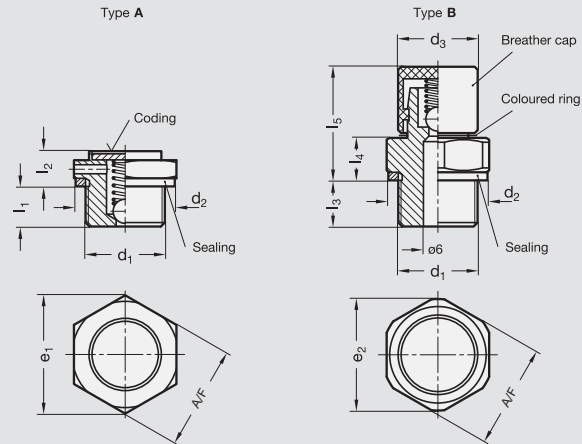
BSP Parallel Thread Table

Dimensions in: millimeters (*inches*)

Part Number	d ₁ Thread	d ₂	d ₃	e	l ₁	l ₂	l ₃	A/F
882-G1/4-MS-K	G ¼	20 (.79)	22 (.87)	23.5 (.93)	7.5 (.29)	10.5 (.41)	25.5 (1.01)	22 (.87)
882-G 3/8-MS-K	G ⅜	22 (.87)	22 (.87)	23.5 (.93)	8.5 (.33)	11.5 (.45)	25.5 (1.04)	22 (.87)
882-G 1/2-MS-K	G ½	26 (1.02)	22 (.87)	29 (1.14)	8 (.31)	12 (.47)	26 (1.02)	27 (1.06)
882-G 1-MS-K	G 1	39 (1.54)	22 (.87)	44 (1.73)	8 (.31)	12 (.47)	26 (1.02)	41 (1.61)

GN 883 | Breather Valves

Brass • Metric Size



RoHS Compliant

Valve body

Brass

Ball

Stainless steel, AISI 5210

Spring

Stainless steel, AISI 301

Sealing washer

DIN 7603 A, soft iron 1.0338
(for d1 = M10 x 1: nylon, PA6)

Breather cap (Type B)

Black plastic

Type A - Short style, without cap

Type B - Tall style, with plastic breather cap

Once the opening pressure given in the table is exceeded, GN 883 breather valves will vent into a container and so protect against excessive internal container pressure.

They also feature very compact dimensions.

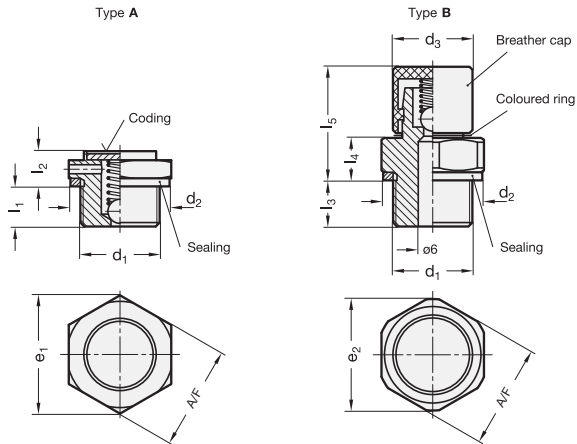
The simple function principle (pressure spring/ball) ensures long and trouble-free use of the valve. The installation position is vertical to the top.

Temperature resistant from
-22° F to 212° F (-30° C to 100° C).

Metric Thread Table

Dimensions in: millimeters (inches)

Part Number		d ₁ Thread	Opening Pressure in mbar		d ₂	d ₃	e ₁	e ₂	l ₁	l ₂	l ₃	l ₄	l ₅	A/F		Ca. air passage l/min.	
Type A	Type B		min.	max.										Type A	Type B	Type A	Type B
883-M10X1-20-A-MS	883-M10X1-20-B-MS	M10 x 1	20	80	17 (.67)	13 (.51)	16 (.63)	18.5 (.73)	6 (.24)	6 (.24)	8 (.31)	7 (.28)	18.5 (.73)	14 (.55)	17 (.67)	1.2 (.05)	1.8 (.07)
883-M10X1-160-A-MS	883-M10X1-160-B-MS	M10 x 1	160	240	17 (.67)	13 (.51)	16 (.63)	18.5 (.73)	6 (.24)	6 (.24)	8 (.31)	7 (.28)	18.5 (.73)	14 (.55)	17 (.67)	1.2 (.05)	1.8 (.07)
883-M12X1.5-20-A-MS	883-M12X1.5-20-B-MS	M12 x 1.5	20	80	18 (.71)	13 (.51)	19.5 (.77)	18.5 (.73)	6.5 (.26)	6 (.24)	7.5 (.30)	7 (.28)	19 (.75)	17 (.67)	17 (.67)	1.2 (.05)	1.8 (.07)
883-M12X1.5-160-A-MS	883-M12X1.5-160-B-MS	M12 x 1.5	160	240	18 (.71)	13 (.51)	19.5 (.77)	18.5 (.73)	6.5 (.26)	6 (.24)	7.5 (.30)	7 (.28)	19 (.75)	17 (.67)	17 (.67)	1.2 (.05)	1.8 (.07)
883-M14X1.5-20-A-MS	883-M14X1.5-20-B-MS	M14 x 1.5	20	80	20 (.79)	13 (.51)	19.5 (.77)	18.5 (.73)	6.5 (.26)	6 (.24)	7.5 (.30)	7.5 (.30)	19 (.75)	17 (.67)	17 (.67)	1.2 (.05)	1.8 (.07)
883-M14X1.5-160-A-MS	883-M14X1.5-160-B-MS	M14 x 1.5	160	240	20 (.79)	13 (.51)	19.5 (.77)	18.5 (.73)	6.5 (.26)	6 (.24)	7.5 (.30)	7.5 (.30)	19 (.75)	17 (.67)	17 (.67)	1.2 (.05)	1.8 (.07)
883-M16X1.5-20-A-MS	883-M16X1.5-20-B-MS	M16 x 1.5	20	80	22 (.87)	13 (.51)	25 (.98)	24 (.94)	9 (.35)	11 (.43)	7.5 (.30)	7.5 (.30)	19 (.75)	22 (.87)	22 (.87)	1.2 (.05)	1.8 (.07)
883-M16X1.5-160-A-MS	883-M16X1.5-160-B-MS	M16 x 1.5	160	240	22 (.87)	13 (.51)	25 (.98)	24 (.94)	9 (.35)	11 (.43)	7.5 (.30)	7.5 (.30)	19 (.75)	22 (.87)	22 (.87)	1.2 (.05)	1.8 (.07)



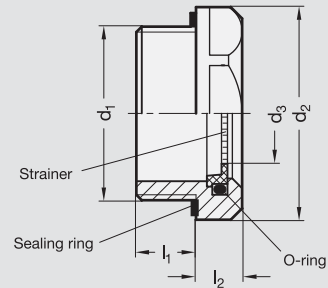
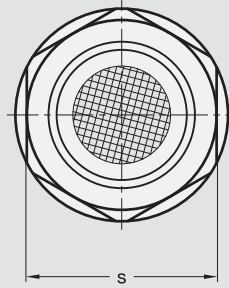
BSPB Parallel Thread Table

Dimensions in: millimeters (*inches*)

Part Number		d ₁ Thread	Opening Pressure in mbar		d ₂	d ₃	e ₁	e ₂	l ₁	l ₂	l ₃	l ₄	l ₅	A/F		Ca. air passage l/min.	
Type A	Type B		min.	max.										Type A	Type B	Type A	Type B
883-G1/4-20-A-MS	883-G1/4-20-B-MS	G 1/4	20	80	20 (.79)	13 (.51)	19.5 (.77)	18.5 (.73)	6.5 (.26)	6 (.24)	7.5 (.30)	7.5 (.30)	19 (.75)	17 (.67)	17 (.67)	1.2 (.05)	1.8 (.07)
883-G1/4-160-A-MS	883-G1/4-160-B-MS	G 1/4	160	240	20 (.79)	13 (.51)	19.5 (.77)	18.5 (.73)	6.5 (.26)	6 (.24)	7.5 (.30)	7.5 (.30)	19 (.75)	17 (.67)	17 (.67)	1.2 (.05)	1.8 (.07)
883-G3/8-20-A-MS	883-G3/8-20-B-MS	G 3/8	20	80	22 (.87)	13 (.51)	25 (.98)	24 (.94)	9 (.35)	11 (.43)	7.5 (.30)	7.5 (.30)	19 (.75)	22 (.87)	22 (.87)	1.2 (.05)	1.8 (.07)
883-G3/8-160-A-MS	883-G3/8-160-B-MS	G 3/8	160	240	22 (.87)	13 (.51)	25 (.98)	24 (.94)	9 (.35)	11 (.43)	7.5 (.30)	7.5 (.30)	19 (.75)	22 (.87)	22 (.87)	1.2 (.05)	1.8 (.07)
883-G1/2-20-A-MS	883-G1/2-20-B-MS	G 1/2	20	80	26 (1.02)	13 (.51)	31 (1.22)	29 (1.14)	8.5 (.33)	11 (.43)	8 (.31)	8 (.31)	19.5 (.77)	27 (1.06)	27 (1.06)	1.2 (.05)	1.8 (.07)
883-G1/2-160-A-MS	883-G1/2-160-B-MS	G 1/2	160	240	26 (1.02)	13 (.51)	31 (1.22)	29 (1.14)	8.5 (.33)	11 (.43)	8 (.31)	8 (.31)	19.5 (.77)	27 (1.06)	27 (1.06)	1.2 (.05)	1.8 (.07)
883-G3/4-20-A-MS	883-G3/4-20-B-MS	G 3/4	20	80	32 (1.26)	13 (.51)	37 (1.46)	35 (1.38)	8.5 (.33)	11 (.43)	8 (.31)	8 (.31)	19.5 (.77)	32 (1.26)	32 (1.26)	1.2 (.05)	1.8 (.07)
883-G3/4-160-A-MS	883-G3/4-160-B-MS	G 3/4	160	240	32 (1.26)	13 (.51)	37 (1.46)	35 (1.38)	8.5 (.33)	11 (.43)	8 (.31)	8 (.31)	19.5 (.77)	32 (1.26)	32 (1.26)	1.2 (.05)	1.8 (.07)

GN 7403 | Breather Strainers

Aluminum • With Stainless Steel Mesh • Metric Size



Body

Aluminum

Strainer

Stainless steel mesh, European Standard No. 1.4301 (American Standard Series 304)

Strainer bezel

Glass fiber reinforced plastic (Polyamide PA)

Seal

NBR synthetic rubber (Perbunan)

Mounting nuts

GN 543.1, see our website

GN 7403 breather strainers are used in enclosure and device construction. Mounted into the wall of the enclosure, they ensure pressure equilibrium between the inside of the enclosure and the outside.

The outside diameter of the enclosure with the recessed hexagon matches the bolt mounting holes for DIN 3852 threaded pipe connectors.

Any dirt and dust particles carried by the medium (usually gas) are prevented from exiting, depending on the mesh size. This protects the insides of sensitive devices and machinery parts from dirt and pollution and also protects the environment from any exiting dust.

Sealing ring is embedded in a radial and plane-sided recess which makes the seal captive, and prevents it from being squeezed out during tightening.

Bezel: maximum heat resistance: 100°C (212°F).

Available upon request

Brass body, other mesh size, other strainer material.

Assembly instruction

For mounting on walls of less than 4 mm thickness, please use mounting nut GN 543.1; see our website.

Metric Table

Dimensions in: millimeters (*inches*)

Part Number	d ₁ Thread	d ₂	d ₃	l ₁	l ₂	s	Mesh size in µm
7403-AL-M20X1.5-100	M20 x 1.5	26	10	8.5	7.5	23	100
7403-AL-M20X1.5-500		(1.02)	(.39)	(.33)	(.29)	(.91)	500
7403-AL-M26X1.5-100	M26 x 1.5	32	14	9	8	30	100
7403-AL-M26X1.5-500		(1.26)	(.55)	(.35)	(.31)	(1.18)	500
7403-AL-M33X1.5-100	M33 x 1.5	40	20	11	8.5	36	100
7403-AL-M33X1.5-500		(1.57)	(.79)	(.43)	(.32)	(1.42)	500

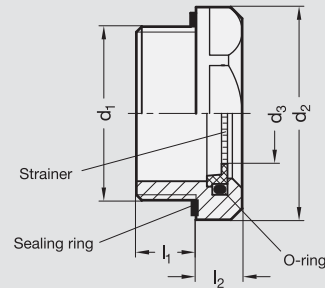
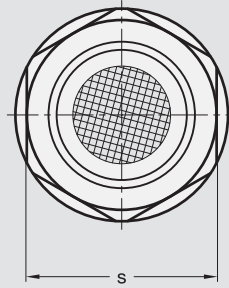
BSP Parallel Thread Table

Dimensions in: millimeters (*inches*)

Part Number	d ₁ Thread	d ₂	d ₃	l ₁	l ₂	s	Mesh size in µm
7403-AL-G1/2-100	G 1/2	26	10	8.5	7.5	23	100
7403-AL-G1/2-500		(1.02)	(.39)	(.33)	(.29)	(.91)	500
7403-AL-G3/4-100	G 3/4	32	14	9	8	30	100
7403-AL-G3/4-500		(1.26)	(.55)	(.35)	(.31)	(1.18)	500
7403-AL-G1-100	G 1	40	20	11	8.5	36	100
7403-AL-G1-500		(1.57)	(.79)	(.43)	(.32)	(1.42)	500

GN 7403 | Breather Strainers

Stainless Steel • With Stainless Steel Mesh • Metric Size



RoHS Compliant

Body

Stainless steel, European Standard No. 1.4305 (American Standard Series 303)

Strainer

Stainless steel mesh, European Standard No. 1.4301 (American Standard Series 304)

Strainer bezel

Glass fiber reinforced plastic (Polyamide PA)

Seal

NBR synthetic rubber (Perbunan)

Mounting nuts

GN 543.1, see our website

GN 7403 breather strainers are used in enclosure and device construction. Mounted into the wall of the enclosure, they ensure pressure equilibrium between the inside of the enclosure and the outside.

The outside diameter of the enclosure with the recessed hexagon matches the bolt mounting holes for DIN 3852 threaded pipe connectors.

Any dirt and dust particles carried by the medium (usually gas) are prevented from exiting, depending on the mesh size. This protects the insides of sensitive devices and machinery parts from dirt and pollution and also protects the environment from any exiting dust.

Sealing ring is embedded in a radial and plane-sided recess which makes the seal captive, and prevents it from being squeezed out during tightening.

Bezel: maximum heat resistance: 100°C (212°F).

Available upon request

Brass body, other mesh size, other strainer material.

Assembly instruction

For mounting on walls of less than 4 mm thickness, please use mounting nut GN 543.1; see our website.

Metric Thread Table

Dimensions in: millimeters (*inches*)

Part Number	d ₁ Thread	d ₂	d ₃	l ₁	l ₂	s	Mesh size in µm
7403-NI-M20X1.5-100	M20 x 1.5	26	10	8.5	7.5	23	100
7403-NI-M20X1.5-500		(1.02)	(.39)	(.33)	(.29)	(.91)	500
7403-NI-M26X1.5-100	M26 x 1.5	32	14	9	8	30	100
7403-NI-M26X1.5-500		(1.26)	(.55)	(.35)	(.31)	(1.18)	500
7403-NI-M33X1.5-100	M33 x 1.5	40	20	11	8.5	36	100
7403-NI-M33X1.5-500		(1.57)	(.79)	(.43)	(.32)	(1.42)	500

BSP Parallel Thread Table

Part Number	d ₁ Thread	d ₂	d ₃	l ₁	l ₂	s	Mesh size in µm
7403-NI-G1/2-100	G 1/2	26	10	8.5	7.5	23	100
7403-NI-G1/2-500		(1.02)	(.39)	(.33)	(.29)	(.91)	500
7403-NI-G3/4-100	G 3/4	32	14	9	8	30	100
7403-NI-G3/4-500		(1.26)	(.55)	(.35)	(.31)	(1.18)	500
7403-NI-G1-100	G 1	40	20	11	8.5	36	100
7403-NI-G1-500		(1.57)	(.79)	(.43)	(.32)	(1.42)	500

Terms and conditions

Delivery: J.W. Winco, Inc. ("J.W. Winco") will make every effort to meet or exceed the time frames shown. However, unforeseen circumstances may cause temporary delays. Normal parcel shipments will be received by a reputable commercial freight carrier within 3 business days of shipment date. If Buyer requires a shorter delivery service, a variety of carrier options are available. Under no circumstances will J.W. Winco be responsible for or incur any liability for damages, costs or expenses of any nature (whether general, consequential, as a penalty or as liquidated damages or otherwise) due to any delays in delivery, or failure to make delivery at an agreed or specified time, which result from circumstances beyond J.W. Winco's reasonable control. Acceptance by Buyer of the items when received waives any claim for loss or damage resulting from a delay, regardless of the cause of the delay. If Buyer delays or suspends the shipment, Buyer will pay the invoice price for the items as per the payment terms, together with our handling and storage charges in effect. For shipments requiring LTL Collect, we will not be held responsible for items lost or damaged while under the care of carriers. All other export or overseas shipments will be routed per Buyer's request and expense. Same day delivery is available, upon request, depending on the time of the day and the destination. There is a \$35.00 service charge for same day delivery, in addition to the regular freight charge. Customers wanting to use their collect number for UPS shipping charges are required to provide said collect number in writing on a purchase order. If a customer provides an incorrect number, said customer accepts liability for reimbursement to J.W. Winco, Inc. for UPS's \$10.00 correction fee and associated shipping charges. In order to prevent any possible fraudulent claims and losses due to misuse, customers' UPS collect numbers will not be stored at J.W. Winco, Inc., and therefore will need to be provided in writing by the customer on each occasion of use.

Freight terms: For orders \$20.00 and over, all parcel shipments to all 50 states in the U.S.A. and Puerto Rico are FOB-destination and are freight prepaid. Services requiring a higher level of service than what is standard in your state, for example next day air, in the United States will be billed collect or at actual cost, plus insurance on merchandise over \$100.00 in value. All LTL shipments will be billed collect. The risk of loss to the items (including damage or destruction thereto) passes to Buyer upon shipment. Freight terms are subject to change without notice.

International orders: International orders are defined as requiring both a "bill to" and "ship to" address outside the United States, excluding Canada, Mexico and Puerto Rico. Minimum purchase order amount is \$25.00. Orders under \$350.00 will include a \$25.00 international processing fee. Prices are quoted in U.S. Dollars, EX-Works Origin New Berlin, Wisconsin and risk of loss passes to Buyer upon delivery to the shipper. Orders may be shipped collect with customer's preferred collect account number and customer's carrier. Payments must be made in U.S. Dollars in advance. Buyer is responsible for all brokerage fees, taxes and duties.

Customer satisfaction guarantee—returns:

J.W. Winco's goal is to achieve total Buyer satisfaction. As long as standard catalog items are in good condition, Buyer can return the merchandise, within 60 days, freight prepaid, and J.W. Winco will issue full credit for the item not including freight charges. After 60 days all items will be charged a 25% minimum re-stocking fee. All returns must be approved by a J.W. Winco Sales Associate and have a return authorization number issued before the return of said goods. All returns must be returned via UPS-Ground with the return shipping charges prepaid and with reference to the J.W. Winco return authorization number and invoice number. On the return of merchandise from a foreign country, including Mexico and Canada, J.W. Winco will not be responsible for any brokerage fees and duty fees regardless of reason for return. Modified and special order items cannot be cancelled or returned. The risk of loss to the items (including damage or

destruction thereto) remains with Buyer when returning catalog items until J.W. Winco receives the items.

Loss, damage or delay

J.W. Winco will not be liable for loss, damage or delay resulting from causes beyond its control or caused by strikes or labor difficulties, blackouts, acts or omissions of any governmental authority or buyer, insurrection or riot, war, fires, floods, acts of God, breakdown of essential machinery, accidents, embargoes, cargo or material shortages or inability to obtain labor, materials or parts from usual sources. In the event of any such delay, performance will be postponed by such length of time as may be reasonably necessary to compensate for the delay. In the event performance by J.W. Winco under this Agreement cannot be accomplished by J.W. Winco due to any action of governmental agencies, or any laws, rules or regulations, J.W. Winco may, at its option, cancel this Agreement without liability.

Pricing Information: All prices are subject to change without notice. Prices on scheduled shipments will be based upon the quantity purchased for each shipment, unless a blanket order price is agreed upon.

Minimum purchase: Minimum invoice is \$20.00 U.S. on all domestic shipments.

Payment terms: Visa, MasterCard and American Express accepted. For businesses with approved credit ratings -1%/10 net 30 days. All other U.S. businesses – C.O.D. until proper credit has been established. A \$20 fee will be charged for checks returned unpaid for insufficient or uncollected funds.

Individuals are welcome to order from J.W. Winco; however, payment must be made by Visa, MasterCard, American Express or C.O.D. All past due accounts will be subject to a 1.5% per month service charge or 18% per annum. Foreign Buyers may pay with Visa, MasterCard, American Express, wire transfer of funds, U.S. Cashier's Check or Letter of Credit. Any bank fees under a wire transfer are the sole responsibility of the Buyer.

Backorders: Items temporarily out of stock may be backordered. The balance of Buyer's order will be shipped within 24 hours from the time J.W. Winco has received Buyer's backordered parts.

Cancellation policy: All standard stocked components can be cancelled at no charge before shipping, provided total order value is less than \$5,000.00, if greater than \$5,000 there will be a minimum 25% cancellation fee. Before shipping, all blanket orders on standard components are subject to a minimum 25% cancellation charge.

Special order items:

Special order items of non-stock or modified parts are subject to a +/- 10% quantity shipping variance unless quoted otherwise. All special order items of non-stock or modified parts cannot be cancelled or returned.

Specifications: All specifications are subject to change without notice.

General:

- No modification or waiver of these Terms and Conditions is valid unless expressly agreed to by J.W. Winco in writing. No waiver by J.W. Winco of any default under these Terms and Conditions is a waiver of any other or subsequent default.
- No agreement is formed hereunder unless Buyer's order is accepted by J.W. Winco in writing.
- The unenforceability or invalidity of one or more of the provisions of these Terms and Conditions will not affect the enforceability or validity of any other provision of these Terms and Conditions.
- THESE TERMS AND CONDITIONS CONTEMPLATE THE COMPLETE AGREEMENT BETWEEN J.W. WINCO AND BUYER AND NO ADDITIONAL OR DIFFERENT TERMS OR

CONDITIONS STATED BY BUYER SHALL BE BINDING UNLESS AGREED TO BY J.W. WINCO IN WRITING.

No course of dealing, usage of trade or course of performance will be relevant to supplement or explain any terms used in these Terms and Conditions.

(e) These Terms and Conditions are governed by and shall be construed in accordance with the Uniform Commercial Code as enacted by the State of Wisconsin.

Business hours: 8:00 a.m. to 5:00 p.m. Central Standard Time, Monday through Friday. Various Holiday closings are observed.

Limited Warranty

Limited Warranty: All products sold, are warranted by J.W. Winco, Inc. only to purchasers for resale or for use in business or original equipment manufacture, against defects in workmanship or materials under normal use for 90 days after date of purchase from J.W. Winco, Inc. Any part which is determined by J.W. Winco to be defective in material or workmanship and returned to J.W. Winco, shipping costs prepaid, will be, as the exclusive remedy, repaired or replaced. At J.W. Winco's option the purchase price may be refunded. All returns must be pre-approved by an authorized J.W. Winco sales associate prior to return. All returns must reference the invoice number and return authorization number marked on the exterior of the package. Any damage or tampering to products resulting from improper packaging or handling will void any warranty or refunds at J.W. Winco's option.

Limitation of liability: The above limited warranty is in lieu of all other warranties, expressed or implied, and there are no warranties which extend beyond the face hereof. J.W. Winco will not be liable for incidental, consequential or special damages or for any loss, damage or expense arising from the sale, use or installation of the items or from any other cause whatsoever, whether based on warranty (expressed or implied) or otherwise based on contract or in tort. J.W. Winco expressly disclaims any liability for consequential and/or incidental damages for all the following, but not limited to, lost sales, lost profits and injury to person or property. J.W. Winco's liability is limited to, and shall not exceed, the purchase price of the product.

Warranty disclaimer: J.W. Winco has made diligent effort to illustrate and describe the products in this catalog accurately; however, such illustrations and descriptions are for the sole purpose of identification, and do not express or imply a warranty that the products are merchantable, or fit for a particular purpose, or that the product will necessarily conform to the illustrations or descriptions. No warranty or affirmation of fact, expressed or implied, other than set forth in the limited warranty statement above is made or authorized by J.W. Winco, Inc. J.W. Winco does not warrant or represent that merchandise sold complies with any Law, including but not limited to, OSHA, the Walsh-Healy Public Contracts Act, and/or regulations promulgated thereunder.

No warranties to consumers: J.W. Winco makes no warranties to those defined as consumers in the Magnuson-Moss Warranty-Federal Trade Commission Improvement Act.

Advice: J.W. Winco assumes no obligation or liability for advice or assistance given or results obtained in connection with any goods sold. All such advice or assistance is given and accepted at Purchaser's risk. Any decisions as to use or installation of goods sold hereunder is that of the Purchaser.

Cross reference information: Product cross-reference comparisons do not imply that all products compared are available, or in the case of functional equivalency, that performance and other characteristics are perfectly comparable. For critical applications, review specifications prior to purchase.

Visit our web site to view our complete online catalog, shop online and download 3D CAD models of our parts!

www.jwwinco.com

Let us tell you the GREAT WAYS

J.W. Winco, Inc. can help you reduce your overall costs!

Remember the value of standard machine components. They are your most cost-effective and time-saving option! And our parts offer exceptional quality and the most modern designs.

Simplify purchasing by going to one source. We have over 20,000 competitively-priced standard parts in stock with thousands more available quickly.

Receive the technical expertise you need to do it right the first time. Our technical sales associates answer your questions, provide detailed specs, and offer suggestions for your application.

Download 3D CAD models for nearly our entire product line. Our pdf CAD viewer enables you to see models right online, and you can download them in any of 19 different formats.

Shop online 24/7 with our eStore. View pricing and purchase easily with your credit card. For customers with established accounts, our eStore offers additional tracking and reporting options.

Get your required secondary machining and assembly from the same source. Our in-house machining facility can accommodate your requirements, and we provide assembly services too.

Satisfy your special labeling and packaging requirements. We offer bar code and UPC code labeling and can meet your other special labeling and packaging needs.

When you buy from us, you purchase a complete overall cost reduction solution. That's why we say...

We're more than just quality parts!

ISO 9001:2008 Registered



J.W. Winco Inc.*

Phone: 262/786-8227
800/877-8351

Fax: 262/786-8524
800/472-0670

Email: sales@jwwinco.com

2815 S. Calhoun Rd.
New Berlin, WI 53151-3515



J.W. Winco Canada Inc.

Phone: 800/877-8351
Fax: 800-472-0670

Email: sales@jwwinco.ca
Web: www.jwwinco.ca

2199 Dunwin Dr.
Mississauga, Ontario L5L 1X2
CANADA

*J.W. Winco, Inc. USA is ISO 9001:2008 Certified.