



We are presenting MISATI's **NEW GENERATION** of Pneumatic Fastening Clamps.

Their **UNIQUE ADVANTAGES**, with regard to other clamps on the market, represent a great step forward in this technical field (worldwide patent). The user gets, then, an **ADDED VALUE**.

Some distinctive features between MISATI's clamp and others will be shown in the following technical specifications.



CLAMPING FORCE



CLAMPING FORCE

SIZE / FORCE

TREAD FINGERS

ASSEMBLIES

STRESS CIRCUIT

FASTENING CLAMP

ADJUSTMENT CLAMP

PROTECTION

CONNECTIONS

CUSHIONING

MONOBLOC BODY

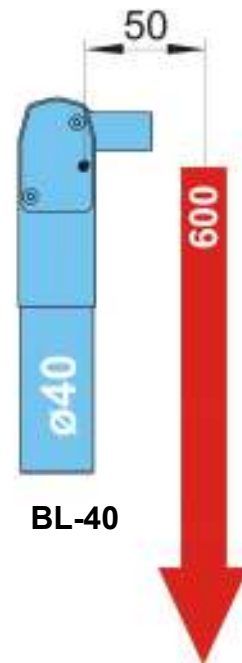
ROLLING SYSTEM

AIR CONSUMPTION

FASTENING TREAD FINGERS

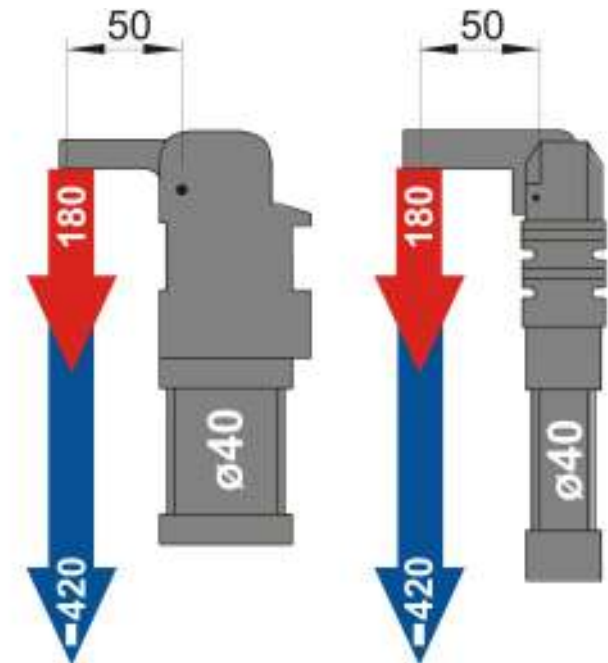
SPARE PARTS

GUARANTEE



>
F(daN)

OTHER CLAMPS



Pressure 6 bar

The high clamping force of MISATI's clamps has been obtained thanks to the kinematic study and to the new design of the mechanism that generates stress. Smaller-diameter clamps can be used to make the same stress as other manufacturer's bigger clamps.

SIZE / FORCE



CLAMPING FORCE

SIZE / FORCE

TREAD FINGERS

ASSEMBLIES

STRESS CIRCUIT

FASTENING CLAMP

ADJUSTMENT CLAMP

PROTECTION

CONNECTIONS

CUSHIONING

MONOBLOC BODY

ROLLING SYSTEM

AIR CONSUMPTION

FASTENING TREAD FINGER

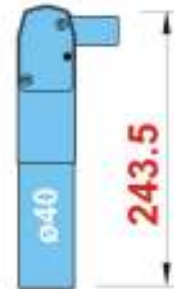
SPARE PARTS

GUARANTEE



OTHER CLAMPS

F=600 daN

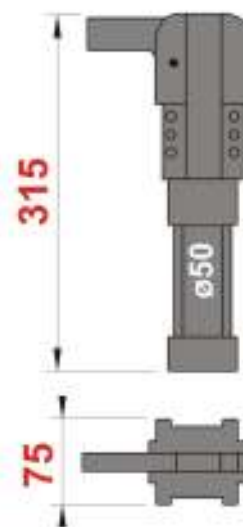


BL-40



mm.

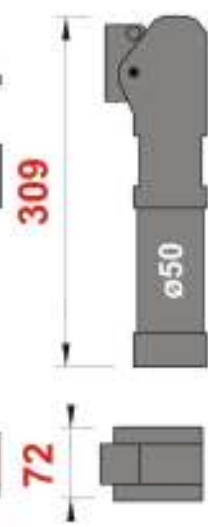
F=380 daN



F=380 daN



F=360 daN



In confined spaces it is essential to have the higher clamping force.

TREAD FINGERS



CLAMPING FORCE

SIZE / FORCE

TREAD FINGERS

ASSEMBLIES

STRESS CIRCUIT

FASTENING CLAMP

ADJUSTMENT CLAMP

PROTECTION

CONNECTIONS

CUSHIONING

MONOBLOC BODY

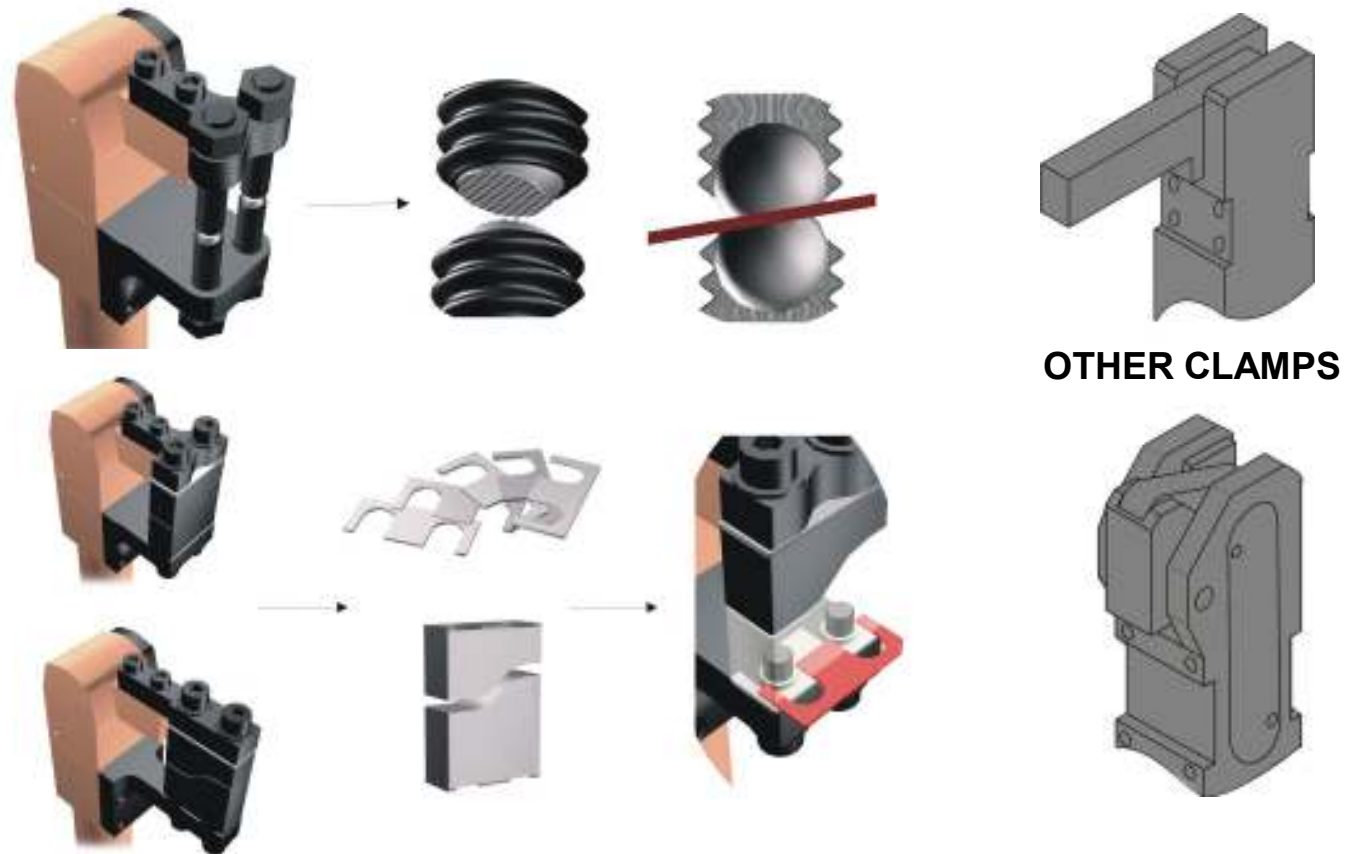
ROLLING SYSTEM

AIR CONSUMPTION

FASTENING TREAD FINGER

SPARE PARTS

GUARANTEE



With the new generation of fastening clamps, costs are reduced because we can apply STANDARD ACCESSORIES: it means a saving in design and construction of special parts.

ASSEMBLIES



CLAMPING FORCE

SIZE / FORCE

TREAD FINGERS

ASSEMBLIES

STRESS CIRCUIT

FASTENING CLAMP

ADJUSTMENT CLAMP

PROTECTION

CONNECTIONS

CUSHIONING

MONOBLOC BODY

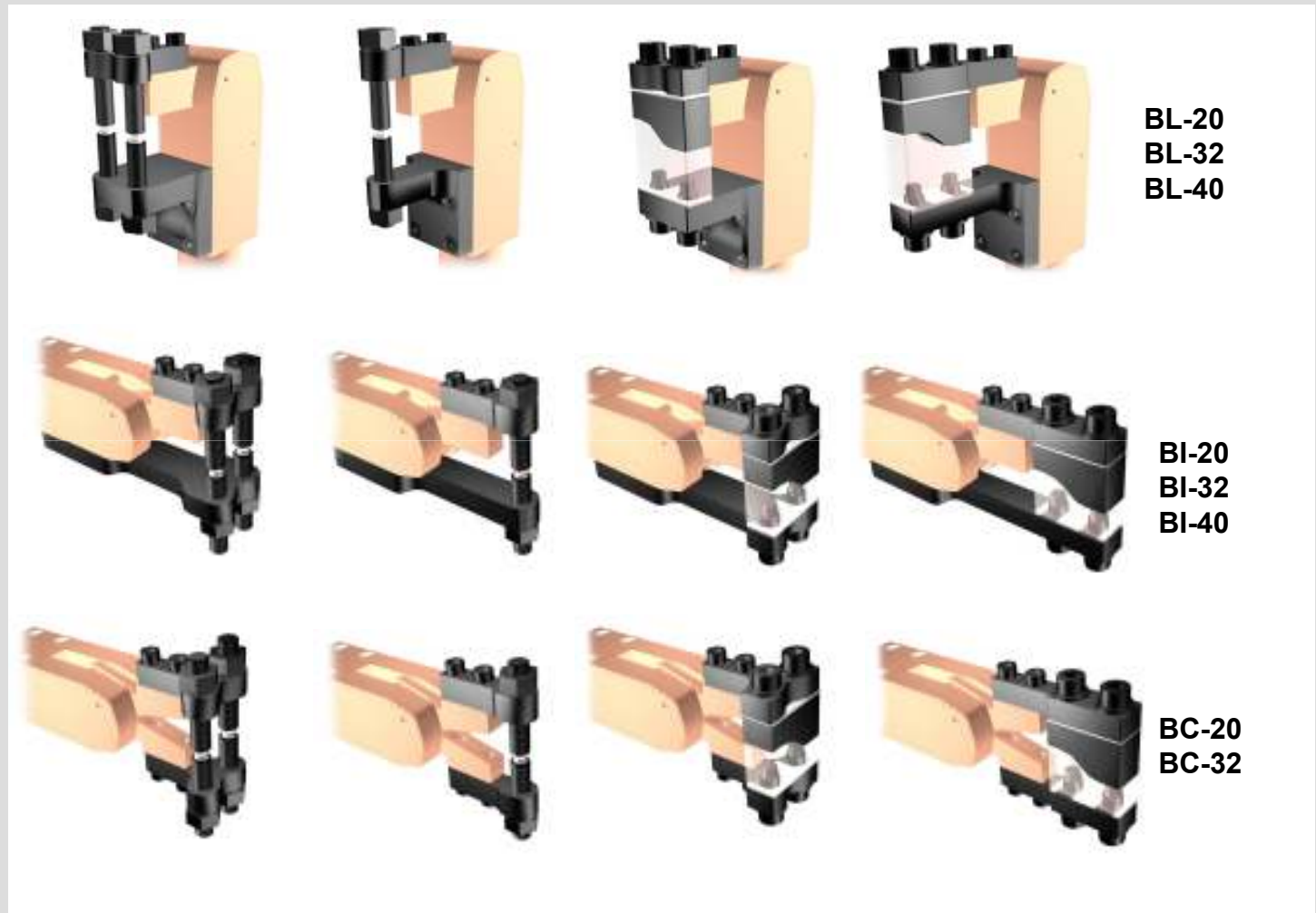
ROLLING SYSTEM

AIR CONSUMPTION

FASTENING TREAD FINGER

SPARE PARTS

GUARANTEE



Assembly of tread fingers on the different types of clamps.

STRESS CIRCUIT



CLAMPING FORCE

SIZE / FORCE

TREAD FINGERS

ASSEMBLIES

STRESS CIRCUIT

FASTENING CLAMP

ADJUSTMENT CLAMP

PROTECTION

CONNECTIONS

CUSHIONING

MONOBLOC BODY

ROLLING SYSTEM

AIR CONSUMPTION

FASTENING TREAD FINGER

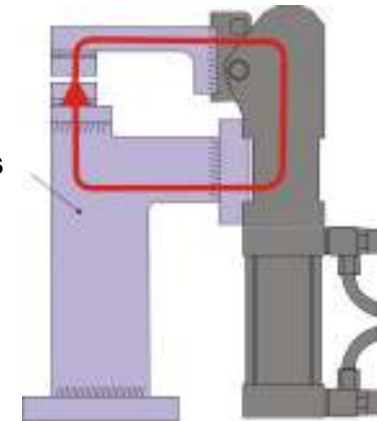
SPARE PARTS

GUARANTEE



**RECOMMENDED
ASSEMBLY**

Special pieces



OTHER CLAMPS



In order to avoid distortion or breaking of the pieces that withstand the stress of the clamp, the shape of the stress circuit should be planned with enough rigidity, adequate fastening and accurate centring.

FASTENING OF THE CLAMP



CLAMPING FORCE

SIZE / FORCE

TREAD FINGERS

ASSEMBLIES

STRESS CIRCUIT

FASTENING CLAMP

ADJUSTMENT CLAMP

PROTECTION

CONNECTIONS

CUSHIONING

MONOBLOC BODY

ROLLING SYSTEM

AIR CONSUMPTION

FASTENING TREAD FINGER

SPARE PARTS

GUARANTEE



(optional lateral drill holes)

The clamp can also be fastened through the body (front or lateral) with centring guide bushings. The position is, then, accurate and it's easy to interchange clamps.

ADJUSTMENT OF THE CLAMP



CLAMPING FORCE

SIZE / FORCE

TREAD FINGERS

ASSEMBLIES

STRESS CIRCUIT

FASTENING CLAMP

ADJUSTMENT CLAMP

PROTECTION

CONNECTIONS

CUSHIONING

MONOBLOC BODY

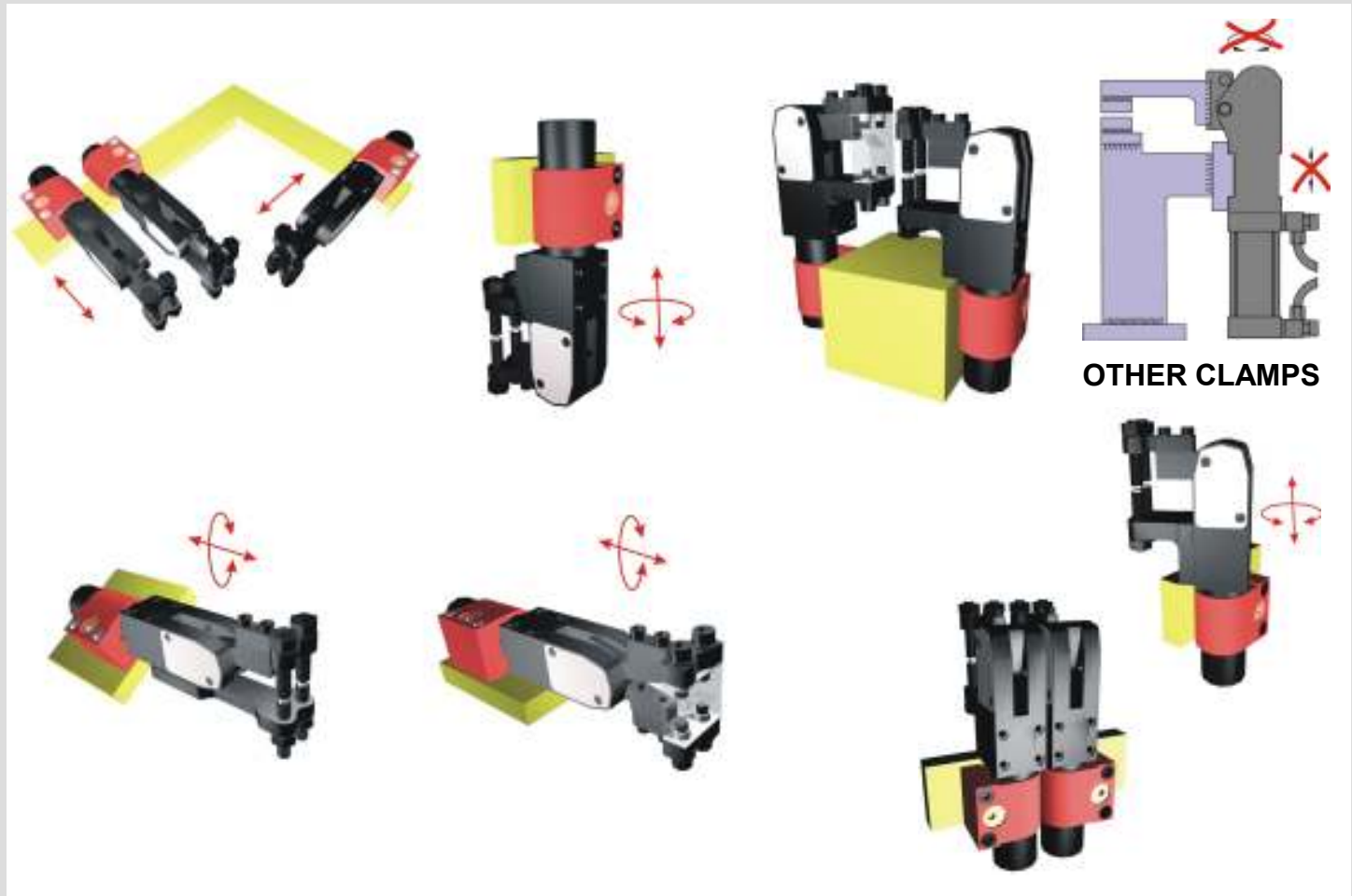
ROLLING SYSTEM

AIR CONSUMPTION

FASTENING TREAD FINGER

SPARE PARTS

GUARANTEE



Fastening of the clamp through the collar allows to fasten the clamping point without changing the parts that make up the stress circuit.

PROTECTION OF THE CLAMP



CLAMPING FORCE

SIZE / FORCE

TREAD FINGERS

ASSEMBLIES

STRESS CIRCUIT

FASTENING CLAMP

ADJUSTMENT CLAMP

PROTECTION

CONNECTIONS

CUSHIONING

MONOBLOC BODY

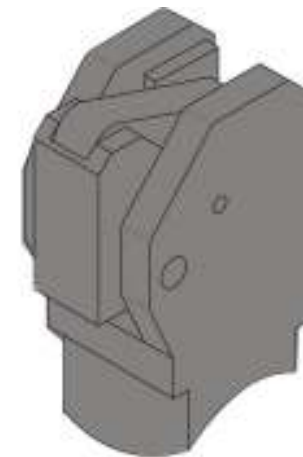
ROLLING SYSTEM

AIR CONSUMPTION

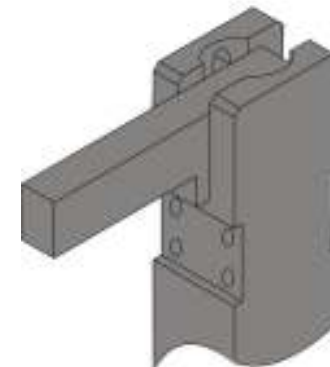
FASTENING TREAD FINGER

SPARE PARTS

GUARANTEE



OTHER CLAMPS



MISATI's new generation clamps are prepared for aggressive environments: mechanizing, resistance welding, etc.

BUILT-IN CONNECTIONS



CLAMPING FORCE

SIZE / FORCE

TREAD FINGERS

ASSEMBLIES

STRESS CIRCUIT

FASTENING CLAMP

ADJUSTMENT CLAMP

PROTECTION

CONNECTIONS

CUSHIONING

MONOBLOC BODY

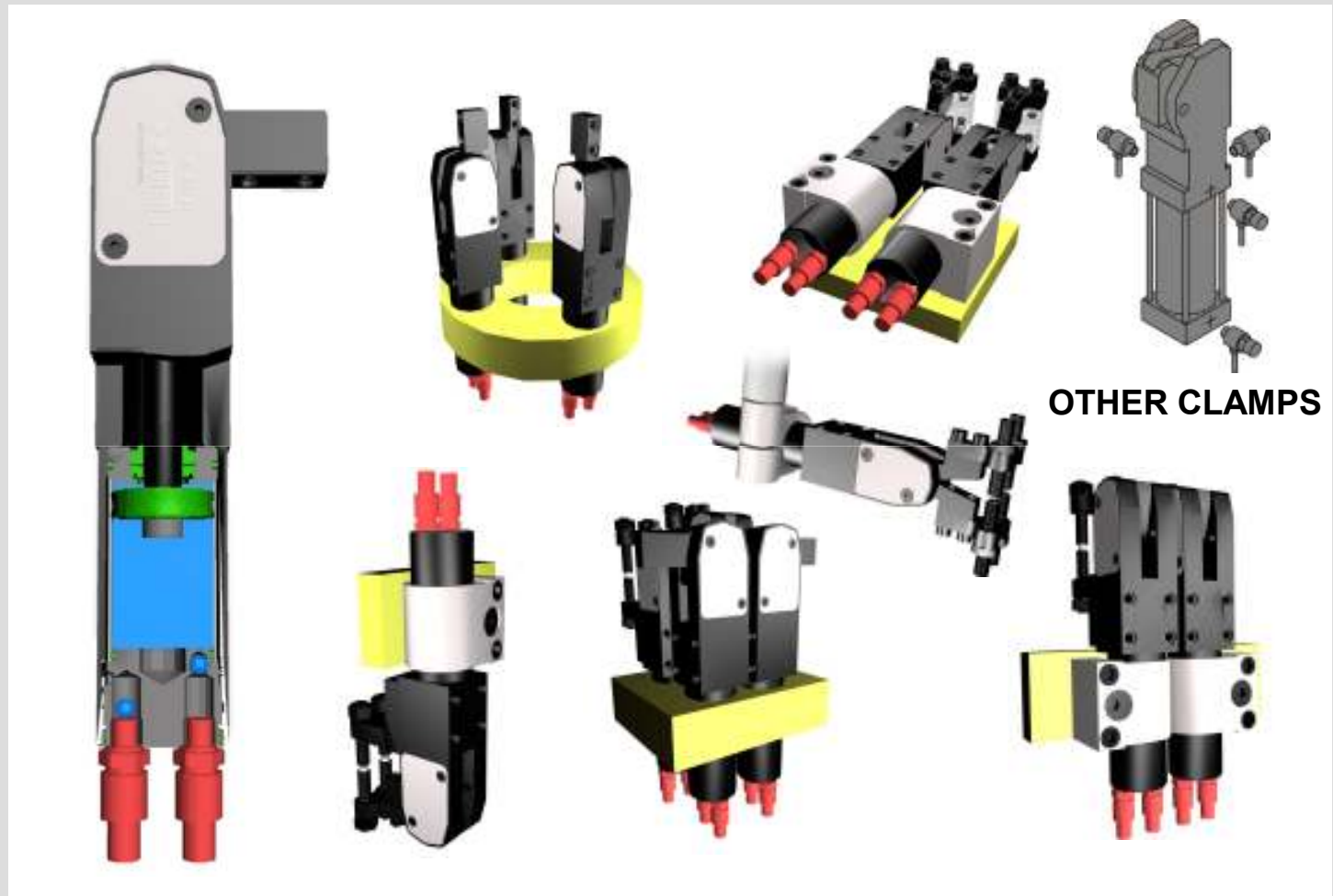
ROLLING SYSTEM

AIR CONSUMPTION

FASTENING TREAD FINGER

SPARE PARTS

GUARANTEE



Absence of lateral sockets allow the clamps to be fitted in confined spaces. In this way, the pneumatic installation is simpler.

PNEUMATIC CUSHIONING



CLAMPING FORCE

SIZE / FORCE

TREAD FINGERS

ASSEMBLIES

STRESS CIRCUIT

FASTENING CLAMP

ADJUSTMENT CLAMP

PROTECTION

CONNECTIONS

CUSHIONING

MONOBLOC BODY

ROLLING SYSTEM

AIR CONSUMPTION

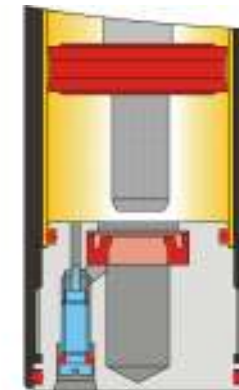
FASTENING TREAD FINGER

SPARE PARTS

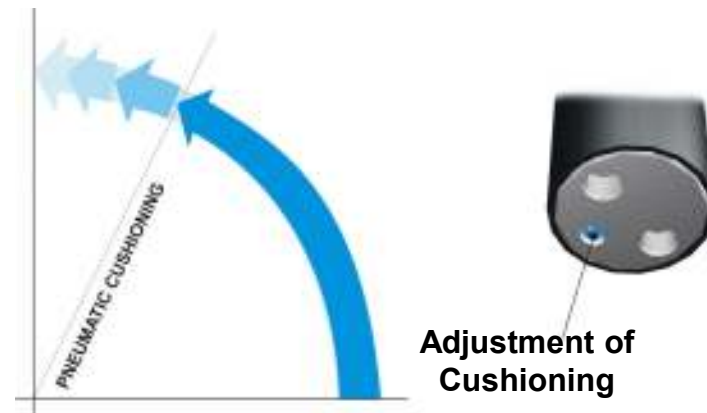
GUARANTEE



Standard Head



Head with Cushioning
(Optional)



MISATI has planned a pneumatic cushioning system on opening the arm which is required when applying special couplings (with an excess length or mass).

MONOBLOC BODY



CLAMPING FORCE

SIZE / FORCE

TREAD FINGERS

ASSEMBLIES

STRESS CIRCUIT

FASTENING CLAMP

ADJUSTMENT CLAMP

PROTECTION

CONNECTIONS

CUSHIONING

MONOBLOC BODY

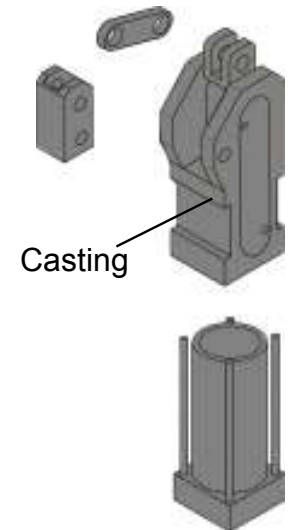
ROLLING SYSTEM

AIR CONSUMPTION

FASTENING TREAD FINGER

SPARE PARTS

GUARANTEE



OTHER CLAMPS

Maximum rigidity on using a monobloc body that incorporates the stress mechanism and pneumatic cylinder.

The body is made of mechanized and treated steel.

ROLLING SYSTEM



CLAMPING FORCE

SIZE / FORCE

TREAD FINGERS

ASSEMBLIES

STRESS CIRCUIT

FASTENING CLAMP

ADJUSTMENT CLAMP

PROTECTION

CONNECTIONS

CUSHIONING

MONOBLOC BODY

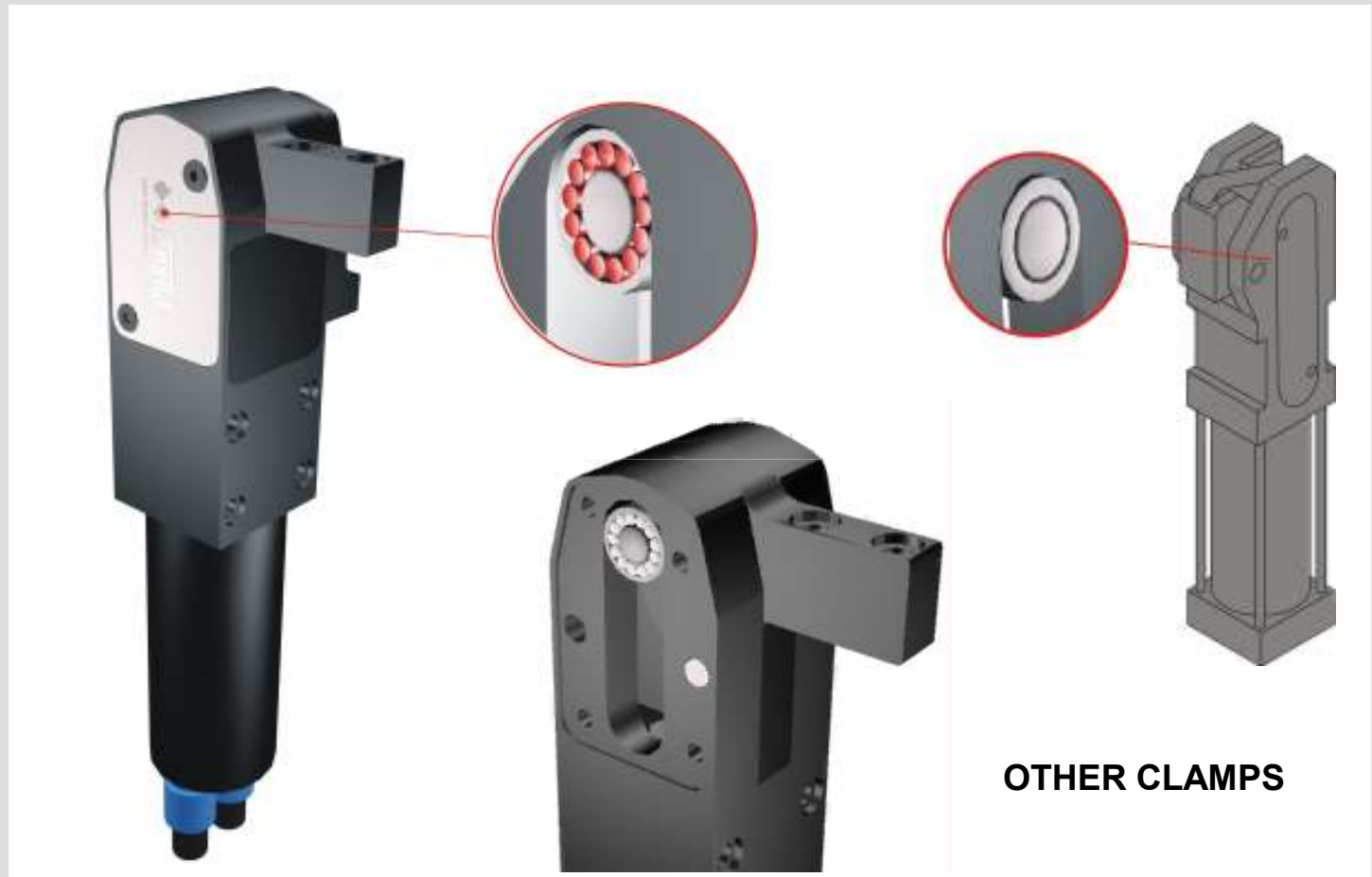
ROLLING SYSTEM

AIR CONSUMPTION

FASTENING TREAD FINGER

SPARE PARTS

GUARANTEE



The mechanism that generates effort in MISATI's clamps has been designed with rolling elements in order to guarantee a long life of the clamp: more than 20 million cycles.

AIR CONSUMPTION



CLAMPING FORCE

SIZE / FORCE

TREAD FINGERS

ASSEMBLIES

STRESS CIRCUIT

FASTENING CLAMP

ADJUSTMENT CLAMP

PROTECTION

CONNECTIONS

CUSHIONING

MONOBLOC BODY

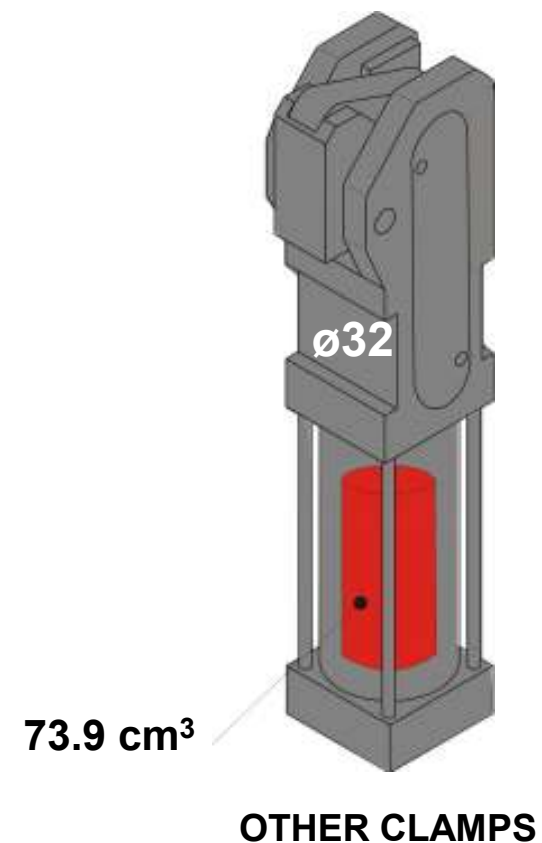
ROLLING SYSTEM

AIR CONSUMPTION

FASTENING TREAD FINGER

SPARE PARTS

GUARANTEE



Thanks to the design of the stress mechanism, the stroke of the pneumatic cylinder is smaller. There is less air consumption per cycle, then.

FASTENING OF THE TREAD FINGER



CLAMPING FORCE

SIZE / FORCE

TREAD FINGERS

ASSEMBLIES

STRESS CIRCUIT

FASTENING CLAMP

ADJUSTMENT CLAMP

PROTECTION

CONNECTIONS

CUSHIONING

MONOBLOC BODY

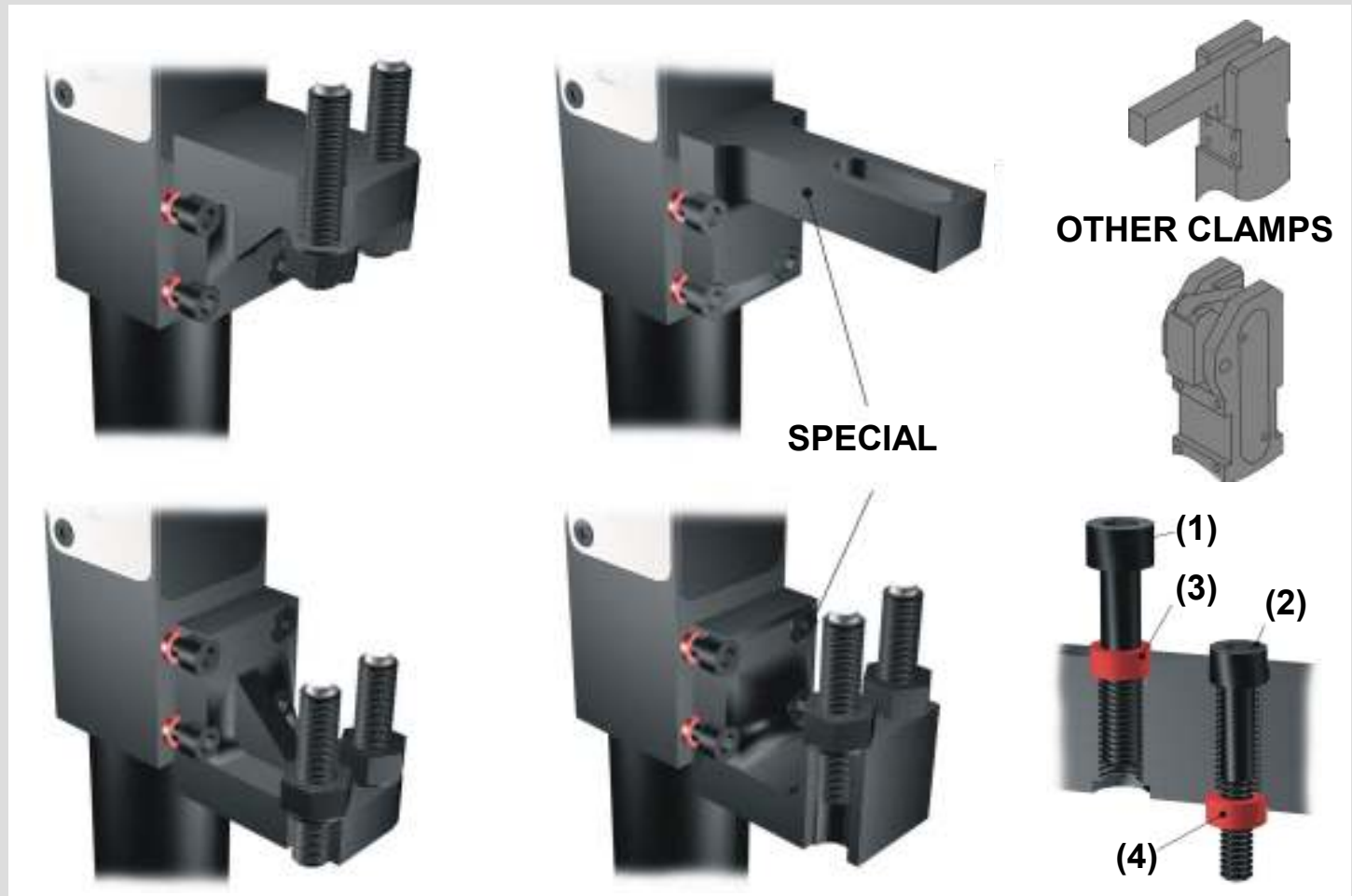
ROLLING SYSTEM

AIR CONSUMPTION

FASTENING TREAD FINGER

SPARE PARTS

GUARANTEE



Fastening of accessories to the arm and body of the clamp is made with threaded screws (1), passing screws (2) and upper (3) or lower (4) centring guide bushings. In this way, it's easier to assemble, centre and interchange tread fingers.

PNEUMATIC SPARE PARTS



CLAMPING FORCE

SIZE / FORCE

TREAD FINGERS

ASSEMBLIES

STRESS CIRCUIT

FASTENING CLAMP

ADJUSTMENT CLAMP

PROTECTION

CONNECTIONS

CUSHIONING

MONOBLOC BODY

ROLLING SYSTEM

AIR CONSUMPTION

FASTENING TREAD FINGER

SPARE PARTS

GUARANTEE



Replacement of elements because of wear could be made in a simple way without dismantling the clamp from the tool.

GUARANTEE



CLAMPING FORCE

SIZE / FORCE

TREAD FINGERS

ASSEMBLIES

STRESS CIRCUIT

FASTENING CLAMP

ADJUSTMENT CLAMP

PROTECTION

CONNECTIONS

CUSHIONING

MONOBLOC BODY

ROLLING SYSTEM

AIR CONSUMPTION

FASTENING TREAD FINGER

SPARE PARTS

GUARANTEE



17 07 06
LOT MONTH YEAR

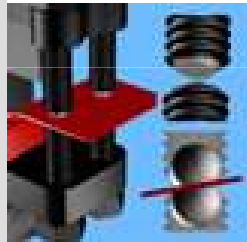
Our clamps, marked with manufacturing lot, month and year, are guaranteed for 5 years or with 20 million manoeuvres.

UNIQUE ADVANTAGES



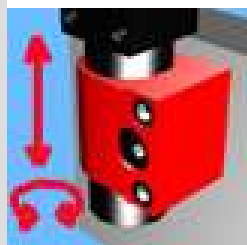
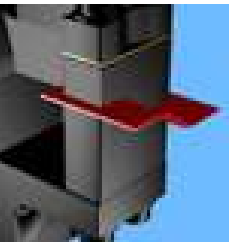
HIGHER HOLDING FORCE

REDUCED SIZE



STANDARD TREAD FINGERS WITH RIBBED BALL-&-SOCKET JOINT

ACCESSORIES FOR MOULDED SURFACES

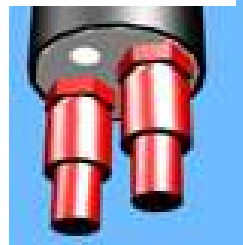
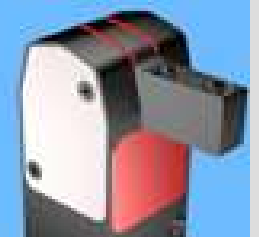


FASTENING OF THE HOLDING POINT

NEW GENERATION

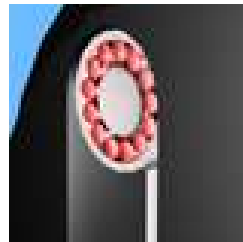


PROTECTION FOR AGGRESSIVE ENVIRONMENTS



BUILT-IN CONNECTIONS WITH NO FLOW REGULATORS

MONOBLOC BODY OF MECHANIZED & TREATED STEEL



ROLLING SYSTEM

LOW AIR CONSUMPTION



In Internet, you will find all the information you may need to apply correctly our fastening clamps.

MISATI → ←

FASTENING CLAMP

Updated 17/03/06

- Company
- Catalogues
- Technical data
- CAD
- Spare parts
- Newsletter

Automobile sector

- Transfer press
- Welding grips
- Welding tools

NEW GENERATION

ACCESSORIES

METAV 2006
20. – 24. Juni Düsseldorf

INTERNATIONAL TRADE
FAIR FOR MANUFACTURING
TECHNOLOGY AND
AUTOMATION

Française Deutsch Español

© MISATI, S.L. (2005) e-mail: misati@misati.es